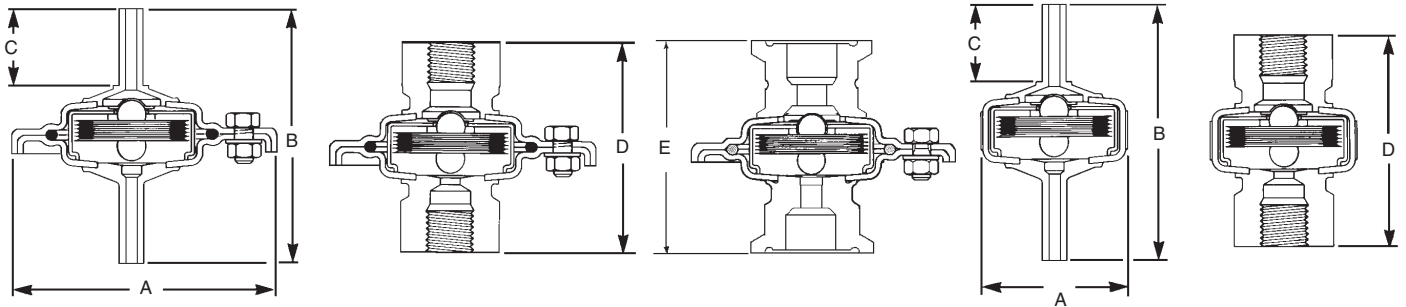


Stainless Steel Balanced Pressure Thermostatic Steam Trap BTM7/BTS7

Dimensions (nominal) in inches and millimeters																
BTM7						BTS7										
Size	A	B Tube	C Tube	D Screwed	E Tri-Clamp*	Weight			Size	A	B Tube	C Tube	D Screwed	Weight		
						Tube	Screwed	Tri-Clamp*						Tube	Screwed	Tri-Clamp*
1/2"	2.8	4.2	1.5	2.9	1.85	.62 lb	.66 lb	.48 lb	1/2"	1.6	4.2	1.5	2.9	.44 lb	.49 lb	
	70	106	40	74	47	.28 kg	.30 kg	.22 kg		40	106	4.0	74	.20 kg	.22 kg	
3/4"	2.8	5.1	1.5	3.2	1.85	.68 lb	.77 lb	.48 lb	3/4"	1.6	5.1	1.5	3.2	.51 lb	.60 lb	
	70	130	40	81	47	.31 kg	.35 kg	.22 kg		40	130	40	81	.23 kg	.27 kg	
1"	2.8	5.0	1.5	3.7	1.85	.77 lb	.90 lb	.78 lb	1"	1.6	5.0	1.5	3.7	.60 lb	.73 lb	
	70	126	40	95	47	.35 kg	.41 kg	.37 kg		40	126	40	95	.27 kg	.33 kg	



Sample Specification

Steam trap shall be self-adjusting balanced pressure type capable of operating close to saturated steam temperature. All wetted parts shall be manufactured from 316L stainless steel. Trap shall be maintainable (BTM7), or sealed construction (BTS7), and shall be completely self-draining when installed in vertical pipeline. Connections shall be 0.065" extended O.D. tube, Tri-Clamp® compatible (BTM7 only), or screwed NPT. All wetted parts of this trap are manufactured from FDA/3-A approved materials.

Installation

The traps are designed for installation in vertical lines with the flow downward to ensure self-draining. The element may be damaged if it is exposed to superheated steam. Full-flow isolating valves, such as Spirax Sarco Model 70i or 80i Clean Ball Valve, should be installed so as to permit servicing.

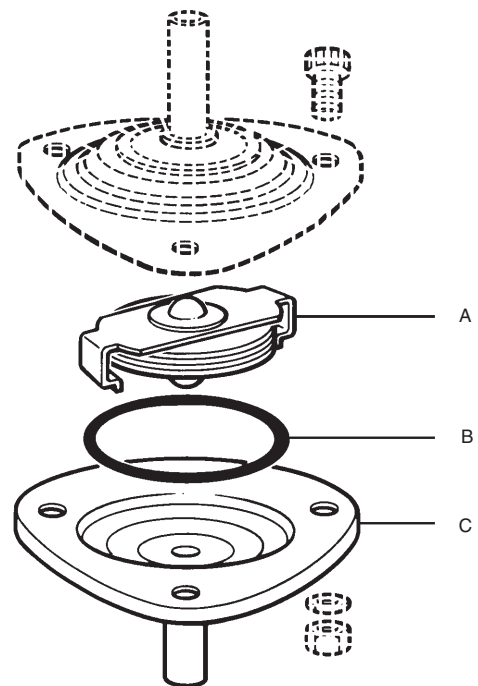
Maintenance

The BTM7 is a maintainable trap. The BTS7 is non-maintainable. Maintenance on the BTM7 can be performed once the steam trap is isolated from system and return line pressure. Complete Installation & Maintenance instructions are given in IM-2-0002-US, which is included with the product.

Spare Parts

Element Assembly	A
Gasket (Pkt of 3)	B
Body with Seat	C

Available spare parts are shown in heavy outline. Parts shown in broken lines are not available as spares.



© Spirax Sarco, Inc. 2007

TI-2-0002-US 11.07