



Holland[®]
APPLIED TECHNOLOGIES
 Indianapolis • Chicago • San Juan
www.hollandapt.com
 800-800-8464

FLOW
 LEVEL
 PRESSURE
 ANALYTICAL
 TEMPERATURE
 INSTRUMENTATION
 PASTEURIZATION CONTROLS

DAC-341 Ceramic Pressure Sensor

- *Maintains accuracy under a wide range of process temperatures*
- *Ultra compact welded stainless steel enclosure*
- *Ceramic element conforms to FDA and EHEDG requirements*
- *Optional LCD display*
- *IP69K rated to withstand the harshest applications and environments*
- *2 wire loop powered with M12 quick disconnect for simple, economical installation*

The DAC 341 developed by Anderson's sister company, Negele, for Brewery and Dairy production in the European market place was specifically designed to meet Europe's toughest sanitary applications. The DAC 341 translates to North America easily, providing simple, accurate and economical solutions for the food and beverage industries. Utilizing a dry capacitive technology, the DAC 341 delivers accurate pressure measurement throughout a broad range of process temperature conditions. EHEDG compliant and utilizing all FDA approved materials, the DAC 341 is a thoroughly sanitary device suitable for a wide range of applications. The compact size, two wire loop power, optional digital display and variety of

sanitary fittings make this an ideal fit for inclusion on OEM skids and in plant sensor up grades.

Of course the DAC 341 is backed by Anderson's substantial experience in food and dairy, so this is one European import that will provide both performance and reliability.

For more information on this pressure sensor, or any of our Anderson Instrument Company products visit www.andinst.com or call our Customer Service Department at 1-800-833-0081

APPLICATIONS

Processes that do not require the 3A symbol:

- CIP Make up
- Ingredient storage
- Batch processing
- OEM Skid mfg



DAC-341 Specifications

Accuracy:	+/- 0.3% of full scale (URL)
Max Turn Down:	4:1
Process Temp Effect:	0.11% of full scale/ 10°F change within compensated range
Ambient Temp Limits:	-4 to 140°F
Process Temp Limits:	32 to 212°F
Compensated Range:	32 to 185°F
CIP / SIP:	284°F /30min
Over Pressure Limit:	Greater of 75 psi or 4X URL

Output:	4-20mA two-wire
Excitation:	12 – 36v dc
Indication:	Optional, LCD cap window. Field selectable psi / Bar / %.
Connection:	M12 male 4 pin receptacle
Material Housing:	304L
Wetted Material:	316L, Ceramic AL2O3
Surface Finish:	Wettable Parts - R _a max 25 micro inch
Ratings:	NEMA 4X, IP69K

HOW TO ORDER



FITTINGS

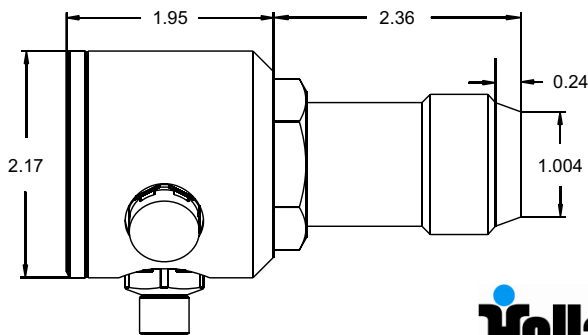
160	G 1" Base Connection (No Tri-Clamp®)
004	1-1/2" Tri-Clamp®
005	2" Tri-Clamp®
006	2-1/2" Tri-Clamp®
007	3" Tri-Clamp®
008	4" Tri-Clamp®

UPPER RANGE LIMIT (URL)

1	29 psia*
2	58 psia*
3	2.9 psig
4	5.8 psig
5	14.5 psig
6	29 psig
7	58 psig
8	145 psig
9	290 psig

INDICATOR

0	No Display
G	Display



CALIBRATION

000	Standard (URL) Calibration
XXX	Custom Calibration

EXAMPLE: 5 psi = 005
120 psi = 120

SENSOR WIRING

Straight FWC Options

A1	QDR & Field Wireable Connector (FWC) w/No Cable (std.)
A0	Quick Disconnect Receptacle (QDR) w/No Cable, no FWC
A2	QDR & FWC w/25 ft Cable
A3	QDR & FWC w/50 ft Cable
A4	QDR & FWC w/75 ft Cable
A5	QDR & FWC w/100 ft Cable
A6	QDR & FWC w/125 ft Cable
A7	QDR & FWC w/150 ft Cable
A8	QDR & FWC w/175 ft Cable
A9	QDR & FWC w/200 ft Cable

90° FWC Options

R0	QDR & 90° FWC w/No Cable
R1	QDR & 90° FWC w/25 ft Cable
R2	QDR & 90° FWC w/50 ft Cable
R3	QDR & 90° FWC w/75 ft Cable
R4	QDR & 90° FWC w/100 ft Cable
R5	QDR & 90° FWC w/125 ft Cable
R6	QDR & 90° FWC w/150 ft Cable
R7	QDR & 90° FWC w/175 ft Cable
R8	QDR & 90° FWC w/200 ft Cable

DIAPHRAGM MATERIAL

6	Ceramic
---	---------

* Display not available with absolute ranges.