



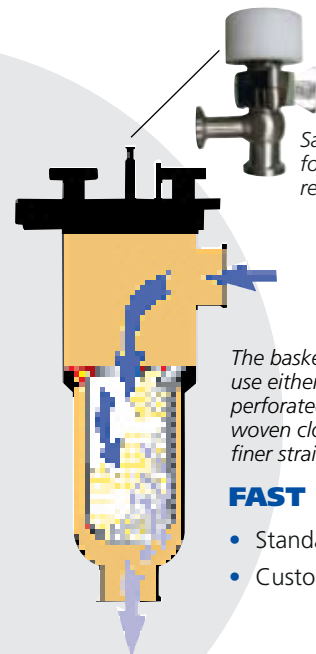
Basket Strainers

Durable high performance design, fast delivery

The Sani-Matic Basket Strainer is designed for straining particulates out of a high volume process stream. The side inlet allows the basket to be removed without disconnecting the line. The inside-out flow pattern through the basket collects material in a disposable bag filter, or cleanable wedgewire or perforated insert.

DESIGN ADVANTAGES

- Safer – lid and hand knob closure rated for higher pressures than clamp-style covers
- Convenient – quick release hand knobs and hinged lid remain attached
- Reliable – machined O-Ring seat prevents any fluid bypass
- Sanitary – 316 Stainless, radius corners and polished welds
- Durable – cast and heavy gauge 316L construction, optional ASME rated



Sample valve included for manual pressure relief. Part #021881

The basket strainer may use either wedgewire or perforated basket with woven cloth insert bag for finer straining applications.

FAST DELIVERY

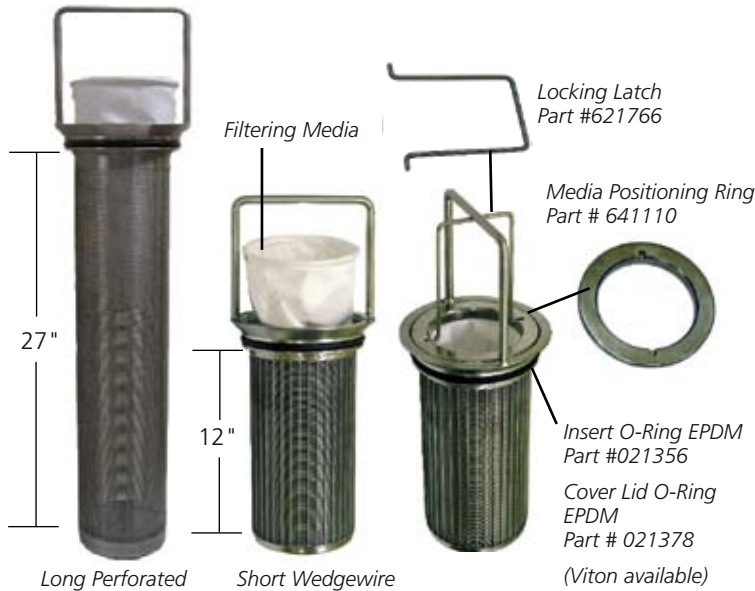
- Standard 2-3 weeks
- Custom 12 weeks

EASY ASSEMBLY AND DISASSEMBLY

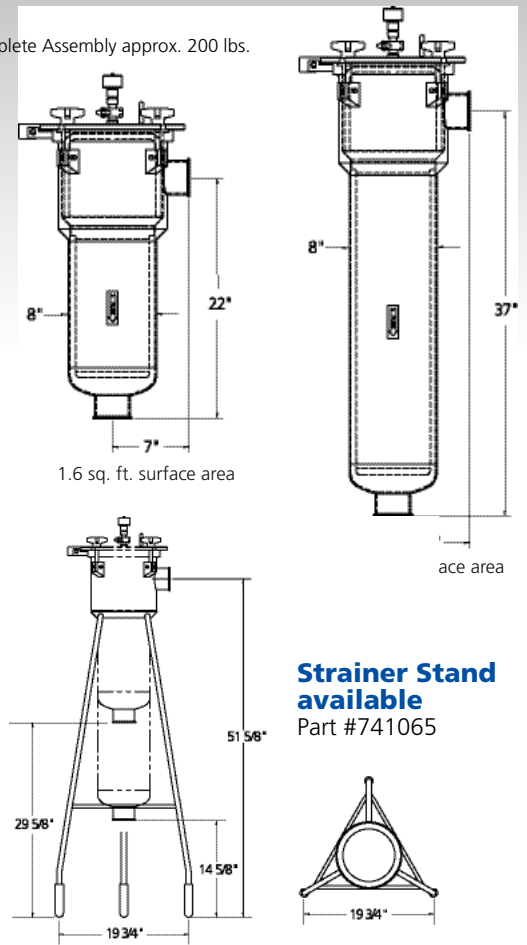
The filter media and basket are easily removed from the strainer when cleaning is required.

For filter bag removal the locking latch is rotated to disengage the positioning ring and allow removal of filter media bag. Re-assembly is easy, quickly returning the strainer into service.

Filter bags are available in a variety of media type and micron sizes. All filters include stainless steel ring for easy removal.



Complete Assembly approx. 200 lbs.



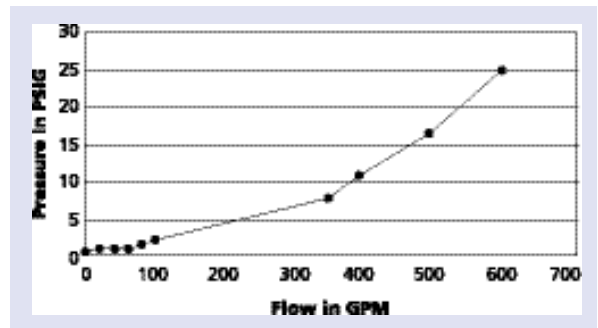
Complete Basket Strainer Assembly

Fitting Size	Part # Perforated Short	Part # Perforated Long	Part # Wedgewire Short	Part # Wedgewire Long
1.5"	S10501	S10505	S10510	S10515
2"	S10502	S10506	S10511	S10516
2.5"	S10503	S10507	S10512	S10517
3"	S10504	S10508	S10513	S10518
4"	S10520	S10509	S10514	S10519

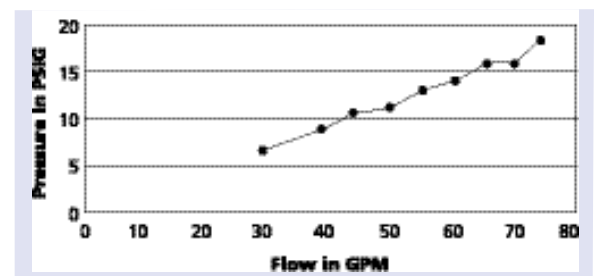
Basket Insert Only

Perf. Holes	Part# Perforated Short	Part# Perforated Long	Part# Wedgewire Short	Part# Wedgewire Long	WW Spacing
1/8"	741039	721052	741022	741047	0.005
3/16"	741040	721053	741030	741048	0.015
1/4"	741051	721054	741036	741049	0.030

Pressure Differential – Water



Pressure Differential – Corn Syrup 850cps



200°F max. temp. or request ASME rating.



1915 S. Stoughton Road • P.O. Box 8662 • Madison, WI 53708
Phone: 608-222-2399 • Fax: 608-222-5348 • info@animatic.com
www.animatic.com

BAS-5280-12/06