

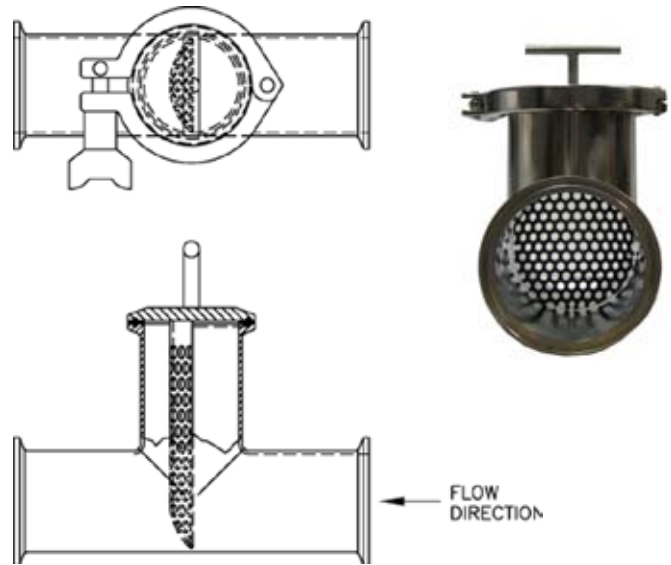
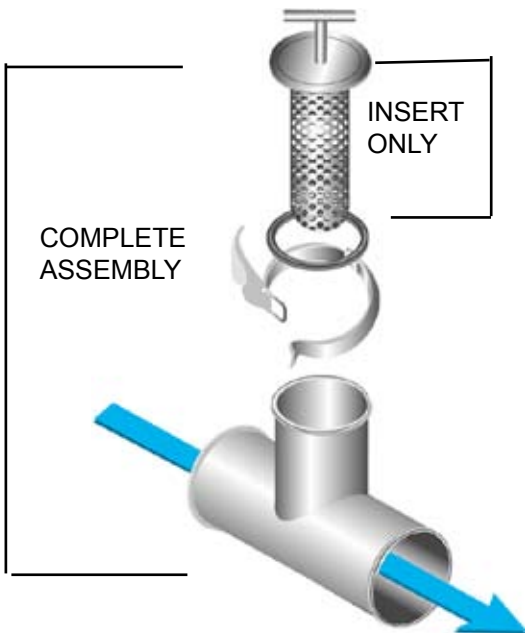
T-LINE STRAINER

A compact design intended for pump protection

INSERT

1/8" holes on 3/16" centerline (40% open)
 1/4" holes on 3/8" centerline (42% open)

Alignment of T-handle indicates proper position of strainer



Purchase of complete assembly ensures proper fit to ID of Tee

FITTING TYPE	DESCRIPTION	HOLE SIZE	TYPE S.S.	FITTING SIZES				
				1-1/2"	2"	2-1/2"	3"	4"
				PART #	PART #	PART #	PART #	PART #
TRI-CLAMP	COMPLETE ASSEMBLY	1/8	316	740959	740960	740961	740962	740963
		1/4		740964	740965	740966	740967	740968
	INSERT (ONLY)	1/8	316	740754	740755	740756	740757	740758
		1/4		740759	740760	740761	740762	740763