

## C-218 PUMP PARTS LIST

ITEM NO.	DESCRIPTION	QTY. PER PUMP	PART NO.	NOTES
1	Casing, 2" x 1-1/2" w/ S-Line Ports	1	60005R2	1, 4
	Casing, 3" x 1-1/2" w/ S-Line Ports	1	60006	1, 4
2	Impeller, Full 8" Diameter	1	60029	2, 4
6	Stub Shaft, 143TC - 145TC Frame	1	60060	
	Stub Shaft, 182TC - 184TC Frame	1	60061	
	Stub Shaft, 213TC - 215TC Frame	1	60062	
	Stub Shaft, 254TC - 256TC Frame	1	60063	
	Stub Shaft, 284TSC - 286TSC	1	60064	
	Stub Shaft, 284TC - 286TC Frame	1	60533	
6A	Shaft Set Screw, 143TC - 184TC Frame	2	30-38	
	Shaft Set Screw, 213TC - 286TC Frame	4	30-38	
11	Backplate	1	60012	4, 5
11F	Backplate Pin	2	60013	
* 24	<b>Impeller Retainer</b>	1	60041	
40	Deflector, 143TC - 184TC Frame	1	60047	
	Deflector, 213TC - 256TC Frame	1	60046	
	Deflector, 284TSC - 286TC Frame	1	60048	
71	304 SS Adapter, 143TC - 145TC Frame	1	60754	
	304 SS Adapter, 182TC - 184TC Frame	1	60755	
	304 SS Adapter, 213TC - 215TC Frame	1	60756	
	304 SS Adapter, 254TC - 256TC Frame	1	60757	
	304 SS Adapter, 284TSC - 286TC Frame	1	60758	
71A	Adapter Pin	2	30-434	
71B	Adapter Mounting Bolt, 143TC - 145TC Frame	4	30-60	
	Adapter Mounting Bolt, 182TC - 286TC Frame	4	30-78	
75	Clamp Assembly	1	60082	
75K	Wing Nut	1	60083	
* 80	<b>Carbon Seal</b>	1	60087	
80A	Cup	1	60090	
* 80B	<b>Seal O-Ring, Buna N</b>	1	N70222	
* 80B	<b>Seal O-Ring, FKM</b>	1	V70222	
80C	Spring	1	60093	
80K	Set Screw	2	30-178	
80L	Drive Collar	1	60096R1	
* 90	<b>Casing Gasket, Buna N</b>	1	60103	
* 90	<b>Casing Gasket, FKM</b>	1	60104	
131	Guard Assembly, 143TC - 145TC Frame	1	60788	
	Guard Assembly, 182TC - 184TC Frame	1	60789	
	Guard Assembly, 213TC - 215TC Frame	1	60790	
	Guard Assembly, 254TC - 256TC Frame	1	60791	
	Guard Assembly, 284TSC - 286TC Frame	1	60792	

PL5050-CH4

## NOTES:

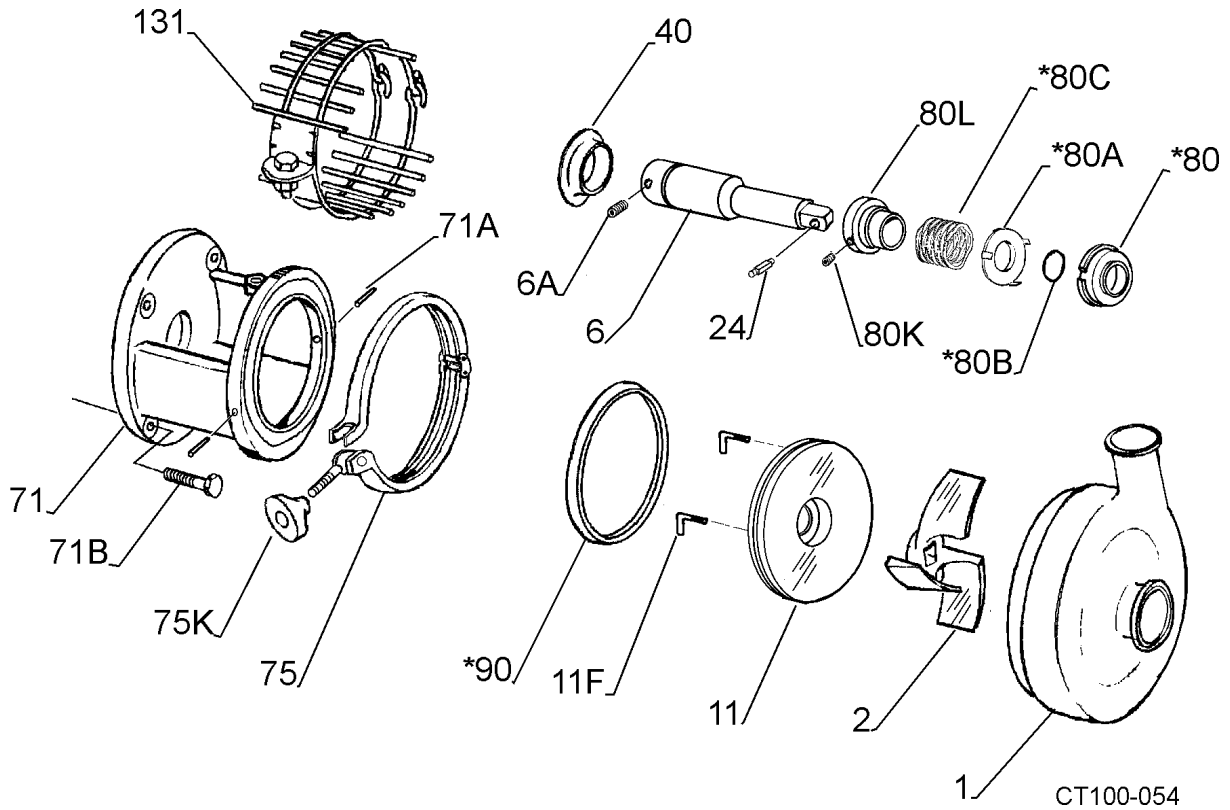
Price of each F.O.B. Delavan, WI, subject to change without notice.

\* Recommended Spare Parts - also available in kits - see page 15.

1. For casings with Bevel threaded, Female I-Line, NPT, or Flanged connections, please contact factory.
2. Contact factory for trimmed impeller part numbers. Specify diameter required on order.
4. Contact factory if casing drain, passivation, or optional finish is required.
5. Used with standard "D" seal only.



C-218 PUMP PARTS DIAGRAM



Shown with standard type "D" seal.

For other optional seals see "Type 'E' Water Cooled Double Balanced Seal Option" on pages 13 & 14 and "Type 'DG' Seal Assembly Options" on pages 11 & 12.