

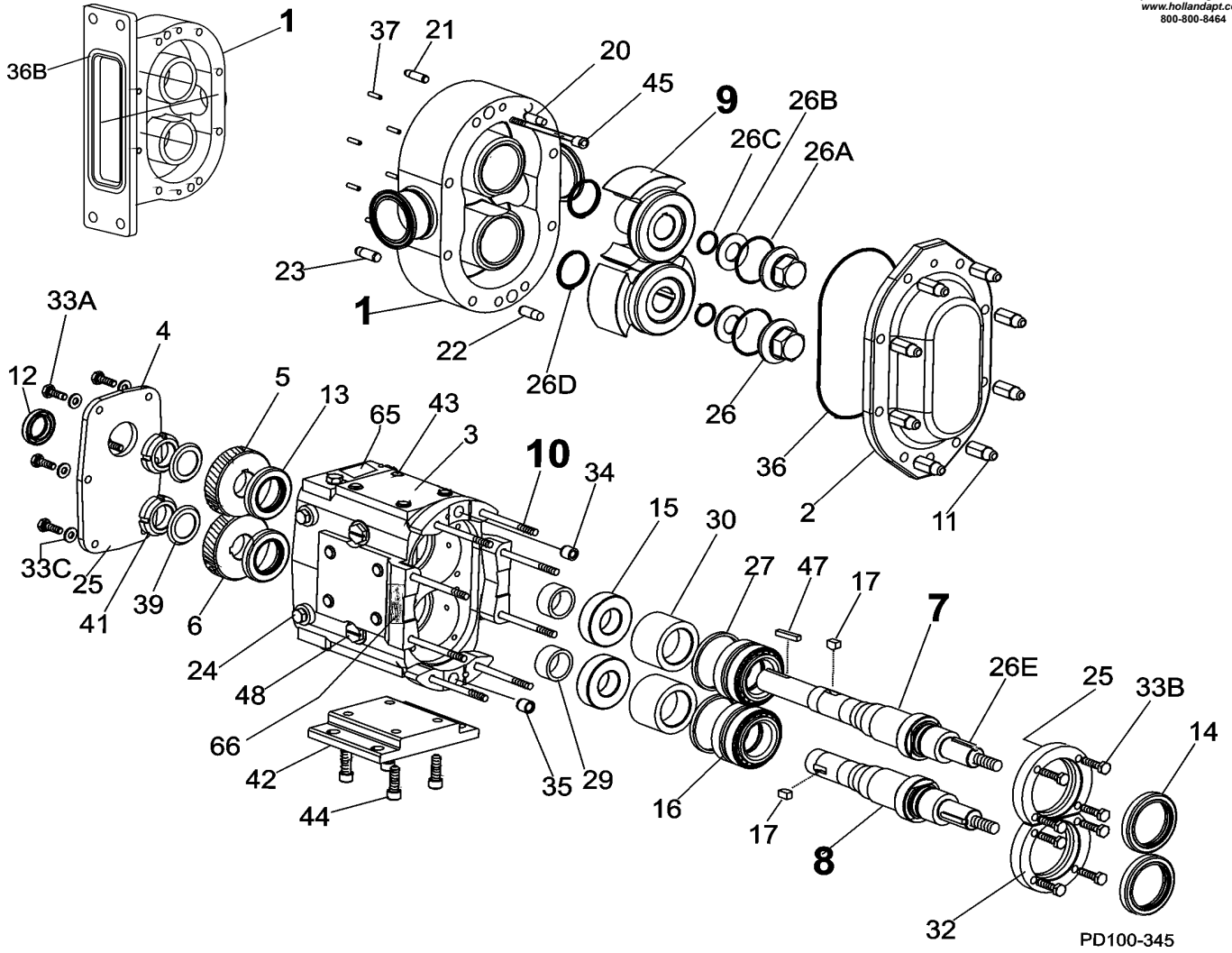
180 - 184 - 220 - 224-U2 PUMP PARTS PRICE LIST

ITEM NO.	DESCRIPTION	QTY. PER PUMP	PART NO.	NOTES
1	180-U2 Pump Body	1	See Note 1	1
	180-U2 Pump Body with Flush	1	See Note 1	1
	184-U2 Pump Body	1	See Note 1	1
	184-U2 Pump Body with Flush	1	See Note 1	1
	220-U2 Pump Body	1	See Note 1	1
	220-U2 Pump Body with Flush	1	See Note 1	1
	224-U2 Rectangular Flange Inlet Body	1	See Note 1	1
	224-U2 Rect. Flange Inlet Body with Flush	1	See Note 1	1
7	180-184-U2 Drive Shaft	1	110023	
	220-224-U2 Drive Shaft	1	108415	
8	180-184-U2 Short Shaft	1	110024	
	220-224 Short Shaft	1	108416	
9	180-184-U2 Rotor, Twin Wing, Alloy 88	2	107273	2
	180-184-U2 Rotor, Twin Wing, 316SS	2	107285	2
	220-224 -U2 Rotor, Twin Wing, Alloy 88	2	102187	2
	220-224 -U2 Rotor, Twin Wing, 316SS	2	102238	2
	220-U2 Single Wing, Alloy 88	2	117141	2, 12, 13
10A	180-184-U2 Stud	8	107243	
10B	180-184-U2 Stud, Jacketed Cover	8	112629	
10C	220-U2 Stud	8	108844	
10D	220-U2 Stud, Jacketed Cover	8	108847	
10E	224-U2 Stud	6	108844	
	224-U2 Stud	2	35550	
10F	224-U2 Stud, Jacketed Cover	6	108847	
	224-U2 Stud, Jacketed Cover	2	36144	

NOTES:

1. Contact Factory with Serial Number of pump for Part Number.
2. Standard clearances and finishes for Rotor Part Numbers shown. Contact Factory for optional clearances and finishes.
12. Replaces P/N 104764 (straight) and P/N 104893 (90 degree) rotors.
13. Single wing rotors can not be used with Rectangular Flange Inlet Pumps.

180 - 184 - 220 - 224-U2 Pump Parts Diagram



180 - 184 - 220 - 224-U2 COMMON PARTS PRICE LIST

ITEM NO.	DESCRIPTION	QTY. PER PUMP	PART NO.	NOTES
2	Pump Cover	1	101851	
	Jacketed Cover	1	107670	
	Pump Cover Vented - Complete Assembly			
	Manual (over 150 PSI)	1	CVR00112	
	Manual (under 150 PSI)	1	CVR00021	
	Pneumatic Piston	1	CVR00080	
3	Gear Case, CI	1	230 005 000	
	Gear Case, SS; Optional	1	101836	
4	Gear Case Cover, Steel	1	230 106 000	
	Gear Case Cover, SS; Optional	1	102283	
5	Gear, Drive Shaft, Spur	1	110932	
6	Gear, Short Shaft, Spur	1	110932	
11	Hex Nut	8	108372	
	Wing Nut, Optional	8	105853	
12	Oil Seal, Gear Case Cover	1	STD 030 006	
13	Oil Seal, Gear Case Rear	2	STD 119 002	
14	Grease Seal, Bearing Retainer	2	STD 030 002	
	Bearing Isolator Kit, Includes STD Bearing Retainer	2	X06634-1	
	Bearing Isolator Kit, Includes SS Bearing Retainer	2	X06634-2	
15	Bearing, Rear	2	200 035 000	
16	Bearing, Front	2	200 036 000	
17	Key, Gear	2	200 037 000	
20	Dowel Pin, Upper Cover Side	1	GD0 040 000	
21	Dowel Pin, Upper Gear Case Side	1	CD0 040 R00	
22	Dowel Pin, Lower Cover Side	1	GD0 040 100	
23	Dowel Pin, Lower Gear Case Side	1	CD0 040 R10	
24	Plug w/ washer, 3/4-16	6	000 046 004	40
	Oil Plug, M20 x 1.5"	5	115798	41
	Oil Level Indicator, M20 x 1.5"	1	115799	41
25	Silicone Sealant	1	000 142 301	
26	Nut, Rotor	2	101807	
* 26A	O-Ring, Rotor Nut, Buna N	2	N70235	
	O-Ring, Rotor Nut, EPDM	2	E70235	
	O-Ring, Rotor Nut, FKM	2	V70235	
26B	Belleville Washer	2	101694	
* 26C	O-Ring, Retainer, Buna N	2	N70122	
	O-Ring, Retainer, EPDM	2	E70122	
	O-Ring, Retainer, FKM	2	V70122	
* 26D	O-Ring, Rotor Hub, Buna N	2	N70230	
	O-Ring, Rotor Hub, EPDM	2	E70230	
	O-Ring, Rotor Hub, FKM	2	V70230	

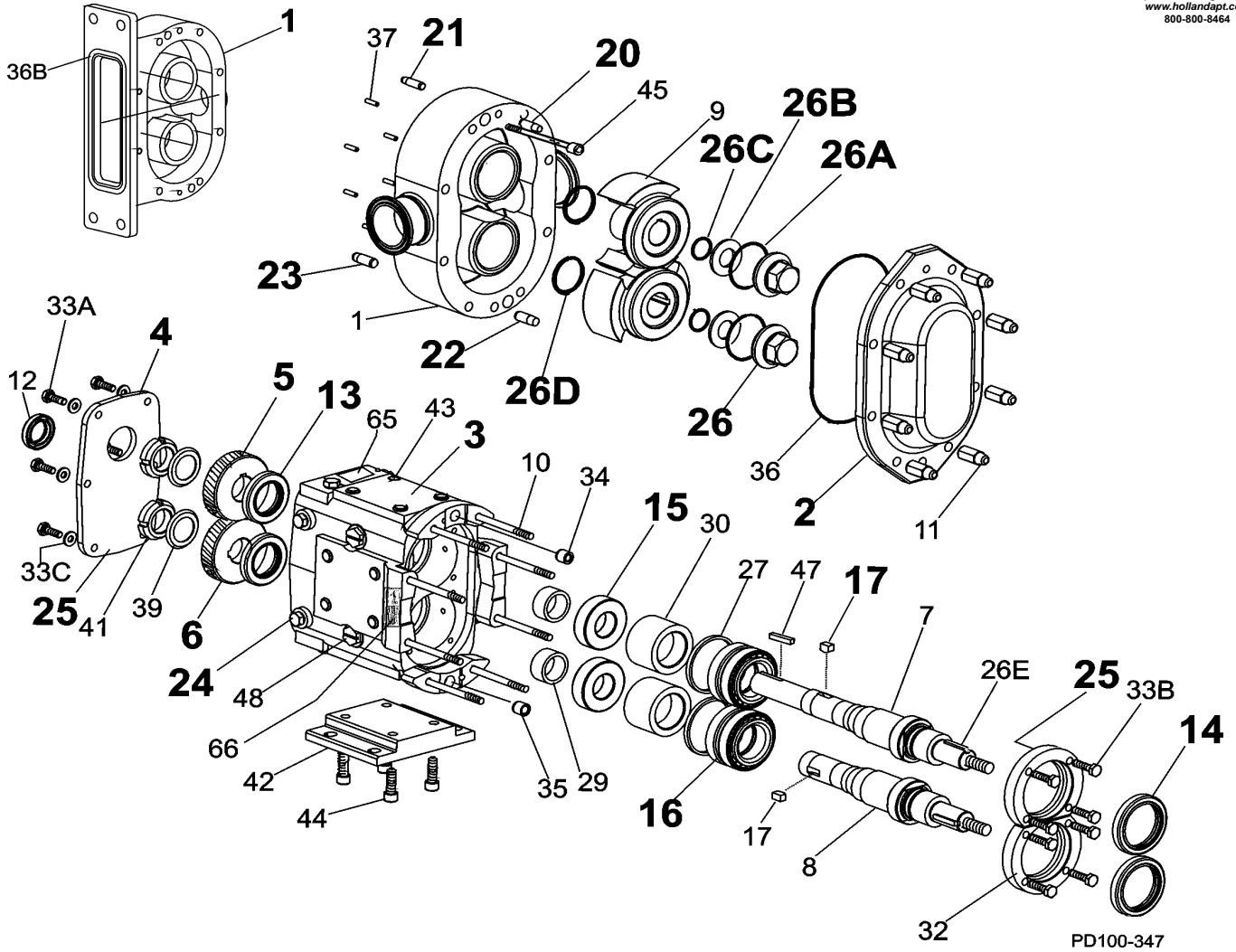
NOTES:

40. Pumps shipped prior to 5/15/03

41. Pumps shipped after 5/15/03

* **Recommended spare parts**

180 - 184 - 220 - 224-U2 Common Parts Diagram



PD100-347

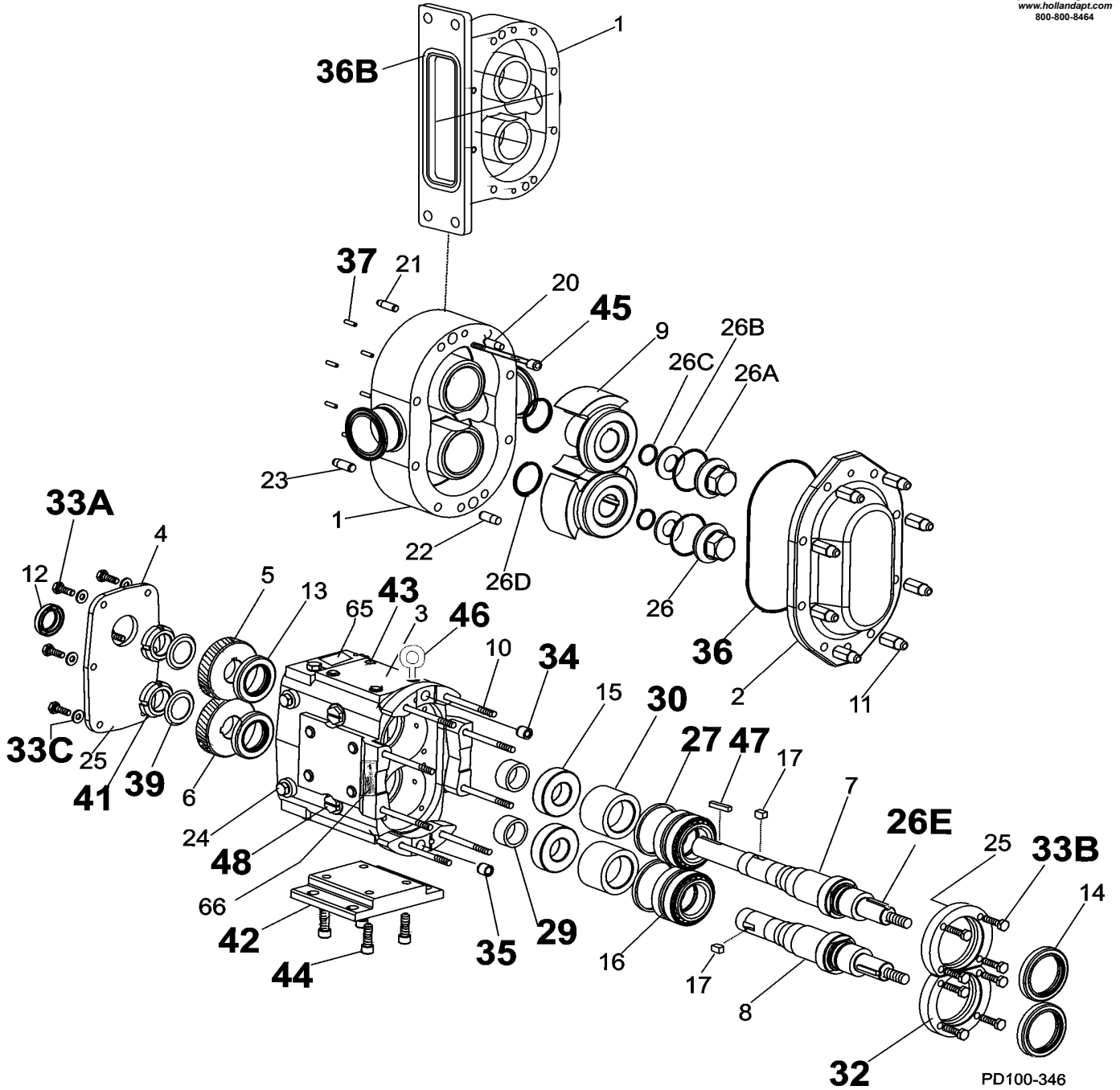
180 - 220 - 224-U2 COMMON PARTS PRICE LIST

ITEM NO.	DESCRIPTION	QTY. PER PUMP	PART NO.	NOTES
26E	180-184-U2 Key, Rotor	2	101828	
	220-224-U2 Key, Rotor	2	101827	
27	Shim Kit	2	117892	
29	Spacer, Gear to Rear Bearing	2	40878	
30	Bearing Spacer	2	40752	
32	Bearing Retainer, Front, STD	2	220 080 000	
	Bearing Retainer, Front, SS	2	101813	
33A	3/8-16 x 3/4" HHCS, STD Gear Case Cover	8	30-314	
	3/8-16 x 3/4" HHCS, SS Gear Case Cover	8	30-50	
33B	3/8-16 x 1-1/4" HHCS, STD Bearing Retainer	8	30-351	
	3/8-16 x 1-1/4" HHCS, SS Bearing Retainer	8	30-60	
33C	3/8" Flat Washer, Gear Case Cover	8	43-189	
34	Dowel Bushing, Upper	1	CD0 116 000	
35	Dowel Bushing, Lower	1	CD0 116 100	
* * * * * *	O-Ring, Pump Cover, Buna N	1	N70381	
	O-Ring, Pump Cover, EPDM	1	E70381	
	O-Ring, Pump Cover, FKM	1	V70381	
	O-Ring, Pump Cover, Silicone	1	S75381	
* * *	184-U2 O-ring, Rectangular Flange	1	N70374	
	224-U2 O-Ring, Rectangular Flange	1	N70272	
	224-U2 O-Ring, Rectangular Flange	1	N70376	
37	Stop Pin, Seal	6	101720	
39	Lockwasher, Gear	2	STD 136 011	
41	Locknut, Gear	2	STD 236 011	
42	Gear Case Shim, CI	1	230 110 000	
	Gear Case Shim, SS; Optional	1	102287	
	Pump Pedestal, 9", Optional	1	GD0 110 SM9	
	Pump Pedestal, 13", Optional	1	GD0 110 SM1	
43	Plastic Cap Plug	6	000 121 001	
44	1/2-13 x 2" SHCS	4	30-111	
	1/2-13 x 2" SS SHCS	4	30-44	
45	180-184-U2 Body Retaining Screws, 3/8-16 x 4"	2	30-323	
	220-224-U2 Body Retaining Screws, 3/8-16 x 4-1/2"	2	30-499	
46	Eye Bolt, 1/2 -13	2	30-360	
47	Key, Coupling - 1/2 x 1/2 x 1-7/8"	1	000 037 004	
48	Cleanout Plug	2	41013	
61	Name Plate, Sanitary	1	001 061 002	
62	#2 x .125" RHDS	4	30-355	
65	Caution Plate	2	33-62	
66	Warning Label	2	33-60	
67	180-184-220-U2 Grease Fitting, 1/8"	4	BD0 092 000	
	224-U2 Grease Fitting, 1/8"	4	BD0 092 100	
68	Plastic Cap, Grease Fitting	4	BD0 093 000	

NOTES:

* Recommended Spare Parts

180 - 184 - 220 - 224-U2 Common Parts Diagram



PD100-346

180 - 184 - 220 - 224-U2 SEAL PRICE LIST

ITEM NO.	DESCRIPTION	QTY. PER PUMP	PART NO.	NOTES
MECHANICAL SEAL PARTS				
* 91	O-Ring, Inner Seal, Buna N	2	N70041	25
* 91	O-Ring, Inner Seal, EPDM	2	E70041	
* 91	O-Ring, Inner Seal, FKM	2	V70041	
* 92	O-Ring, Shaft, Buna N	2	N70145	25
* 92	O-Ring, Shaft, EPDM	2	E70145	
* 92	O-Ring, Shaft, FKM	2	V70145	
* 93	Seal Seat, Ceramic	2	101676	
* 93	Seal Seat, Silicon Carbide	2	101677	
* 94	Seal Inner, Carbon (1 Piece)	2	101663	
* 94	Seal Inner, Ceramic	2	101664	
* 94	Seal Inner, Silicon Carbide	2	101665	
* 94	Seal Inner, Tungsten Carbide	2	101666	
95	Wave Spring, Inner Seal	2	101689	
* 96	O-Ring, Outer Seal, Buna N	2	N70046	8
* 96	O-Ring, Outer Seal, EPDM	2	E70046	8
* 96	O-Ring, Outer Seal, FKM	2	V70046	8
97	Wave Spring, Outer Seal	2	101690	
* 98	Outer Seal, Carbon	2	101682	8

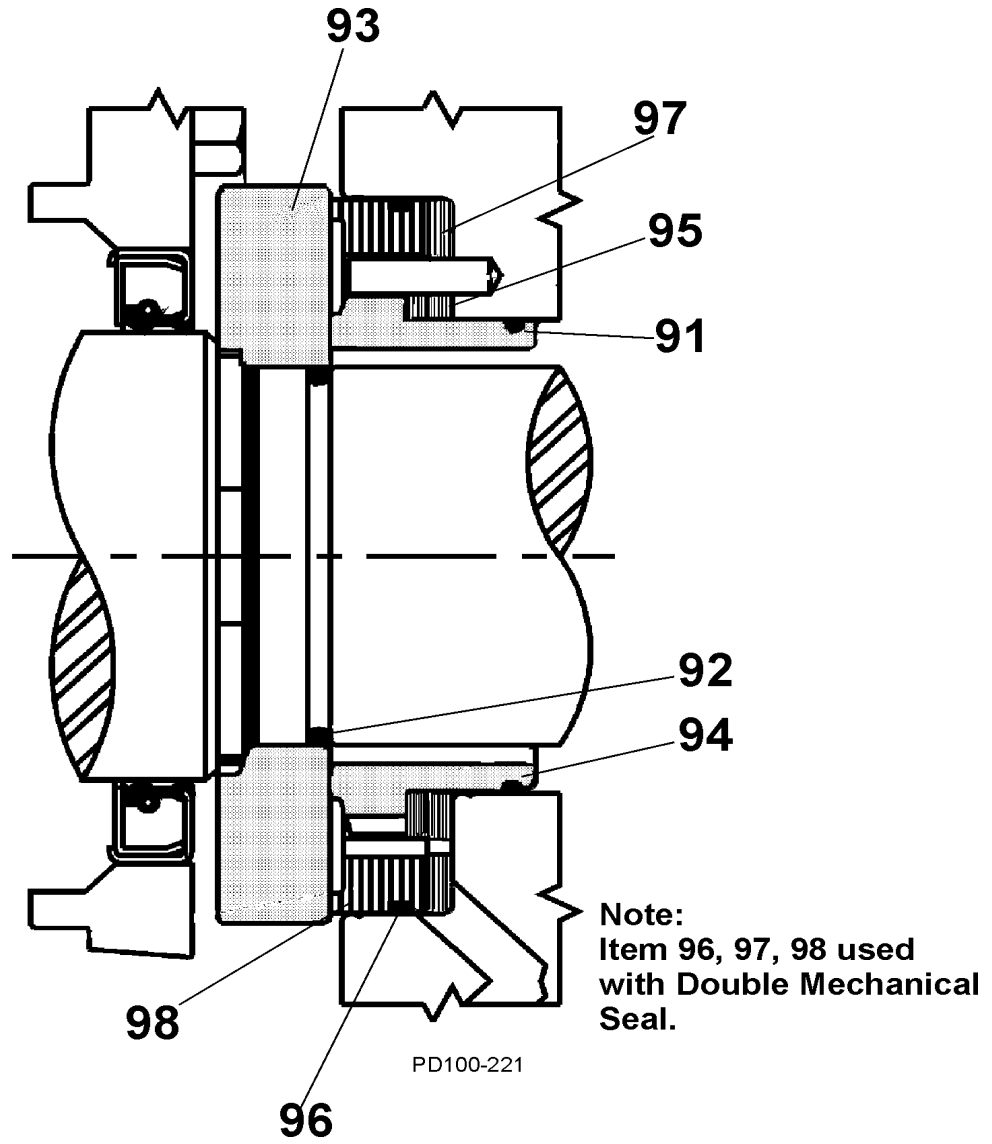
NOTES:

8. Used with Double Mechanical Seal.

25. Sold in packages of 25 only.

***Recommended Spare Parts**

180 - 184 - 220 - 224 -U2 Seal Parts Diagram



180 - 184 - 220 - 224-U2 VENTED COVER PRICE LIST

ITEM NO.	DESCRIPTION	QTY. PER PUMP	PART NO.	NOTES
MANUAL VENTED COVER				
101	Vented Cover	1	103672	
102	Adjusting Screw	1	GD0 072 100	
103	Spring Plunger	1	GD0 073 000	
104	Locknut	1	GD0 074 000	
105	Spring, Medium (less than 150 PSI)	1	113400	
	Spring, High (more than 150 PSI)	1	113524	
106	Diaphragm Bushing	1	GD0 077 000	
107	Cover Nut	1	GD0 075 000	
* 108	Rubber Diaphragm, Buna N	1	GD0 078 000	
PISTON VENTED COVER				
101	Vented Cover	1	103672	
112	Piston	1	GD0 073 P10	
* 113	O-Ring, Bushing Seal, Buna N	1	N70261	
114	Diaphragm Bushing	1	GD0 077 P10	
* 115	O-Ring, Nut Seal, Buna N	1	N70261	
116	Cover Nut	1	GD0 075 P10	
* 117	Piston Seal, Quad Ring	1	GD0 133 000	
* 117	Piston Seal, O-Ring, Buna N	1	N70258	9

NOTES:

9. Quad Ring and O-Ring can be interchanged.

* **Recommended spare parts**

180 - 184 - 220 - 224-U2 Vented Cover Parts Diagram

