

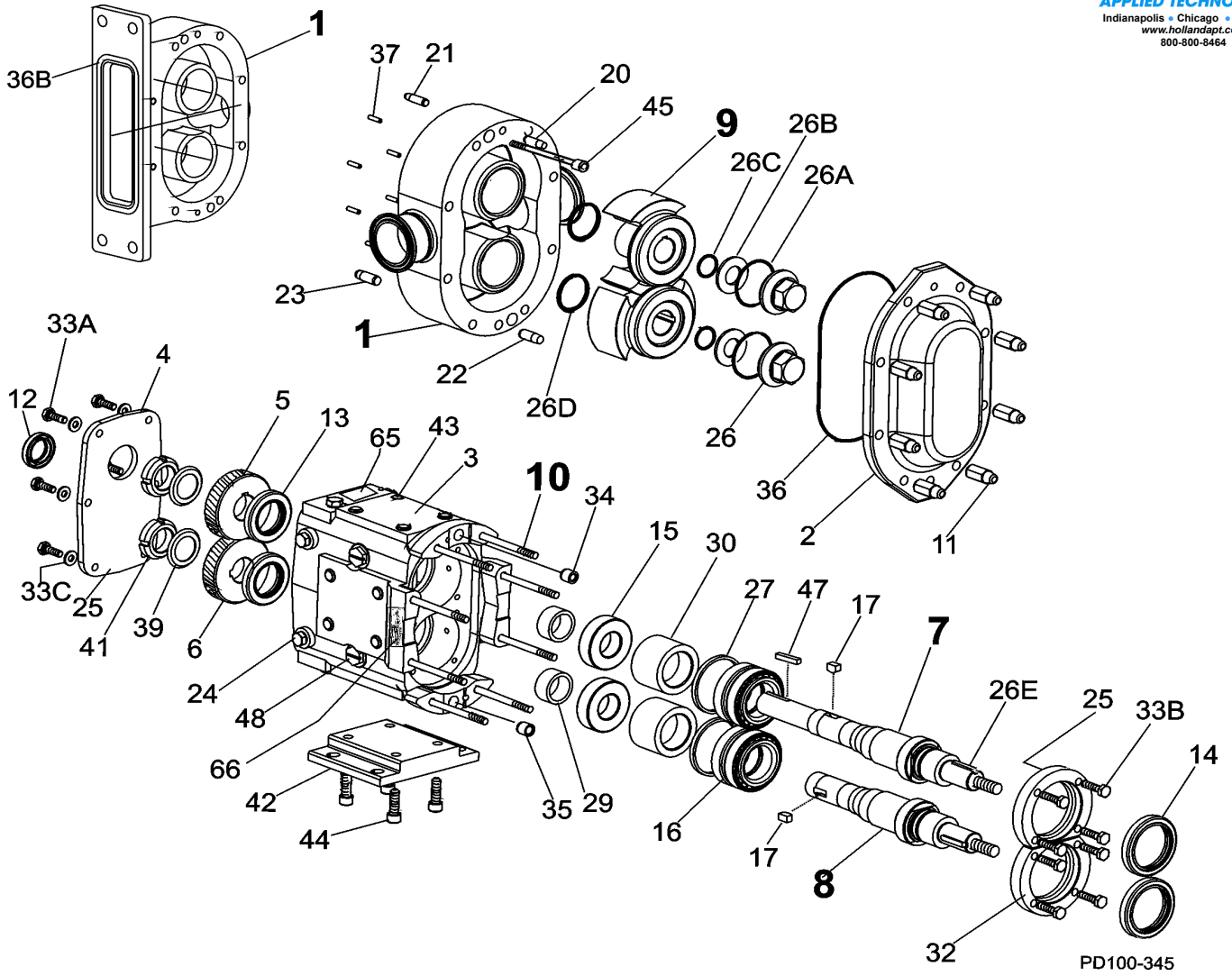
045 - 060 - 064 - 130 - 134-U2 PUMP PARTS PRICE LIST

ITEM NO.	DESCRIPTION	QTY. PER PUMP	PART NO.	NOTES
1	045-U2 Pump Body	1	See Note 1	1
	045-U2 Pump Body with Flush	1	See Note 1	1
	060-U2 Pump Body	1	See Note 1	1
	060-U2 Pump Body with Flush	1	See Note 1	1
	064-U2 Rectangular Flange Inlet Body	1	See Note 1	1
	064-U2 Rect. Flange Inlet Body with Flush	1	See Note 1	1
	130-U2 Pump Body	1	See Note 1	1
	130-U2 Pump Body with Flush	1	See Note 1	1
	134-U2 Rectangular Flange Inlet Body	1	See Note 1	1
7	134-U2 Rect. Flange Inlet Body with Flush	1	See Note 1	1
	045-U2 Drive Shaft	1	110021	
	060-064-U2 Drive Shaft	1	108411	
8	130-134-U2 Drive Shaft	1	108413	
	045-U2 Short Shaft	1	110022	
	060-064-U2 Short Shaft	1	108412	
9	130-134-U2 Short Shaft	1	108414	
	045-U2 Rotor, Twin Wing, Alloy 88	2	107252	2
	045-U2 Rotor, Twin Wing, 316SS	2	107264	2
	045-U2 Rotor, Single Wing, Alloy 88	2	117105	2
	060-064-U2 Rotor, Twin Wing, Alloy 88	2	102163	2
	060-064-U2 Rotor, Twin Wing, 316SS	2	102226	2
	060-U2 Rotor, Single Wing, Alloy 88	2	117117	2, 12, 13
	130-134-U2 Rotor, Twin Wing, Alloy 88	2	102175	2
	130-134-U2 Rotor, Twin Wing, 316SS	2	102232	2
10A	130-U2 Rotor, Single Wing, Alloy 88	2	117129	2, 12A, 13
	045-U2 Stud	8	107242	
10B	045-U2 Stud, Jacketed Cover	8	111584	
10C	060-U2 Stud	8	108843	
10D	060-U2 Stud, Jacketed Cover	8	108846	
10E	064-U2 Stud	6	108843	
	064-U2 Stud	2	0C1 050 000	
10F	064-U2 Stud, Jacketed Cover	6	108846	
	064-U2 Stud, Jacketed Cover	2	35556	
10G	130-U2 Stud	8	101722	
10H	130-U2 Stud, Jacketed Cover	8	130 011 001	
10I	134-U2 Stud	6	101722	
	134-U2 Stud	2	0C1 050 000	
10J	134-U2 Stud, Jacketed Cover	6	130 011 001	
	134-U2 Stud, Jacketed Cover	2	35556	

NOTES:

1. Contact Factory with Serial Number of pump for Part Number.
2. Standard clearances and finishes for Rotor Part Numbers shown. Contact Factory for optional clearances and finishes.
12. Replaces P/N 104728 (straight) and P/N 104857 (90 degree) rotors.
- 12A. Replaces P/N 104746 (straight) and P/N 104875 (90 degree) rotors.
13. Single wing rotors can not be used with Rectangular Flange Inlet Pumps.

045 - 060 - 064 - 130 - 134-U2 Pump Parts Diagram



045 - 060 - 064 - 130 - 134-U2 COMMON PARTS PRICE LIST

ITEM NO.	DESCRIPTION	QTY. PER PUMP	PART NO.	NOTES
2	Pump Cover	1	101848	
	Jacketed Cover	1	107668	
	Pump Cover Vented - Complete Assembly			
	Manual (over 150 PSI)	1	CVR00077	
	Manual (under 150 PSI)	1	CVR00051	
	Pneumatic Rubber Diaphragm	1	CVR00078	
	Pneumatic Piston	1	CVR00079	
3	Gear Case, CI	1	070 005 000	
	Gear Case, SS; Optional	1	101834	
4	Gear Case Cover, Steel	1	070 106 000	
	Gear Case Cover, SS; Optional	1	102282	
5	Gear, Drive Shaft, Spur	1	107404	
6	Gear, Short Shaft, Spur	1	107404	
11	Hex Nut	8	108371	
	Wing Nut, Optional	8	105852	
12	Oil Seal, Gear Case Cover	1	000 030 012	
13	Oil Seal, Gear Case Rear	2	000 030 011	
14	Grease Seal, Bearing Retainer	2	101829	
	Bearing Isolator Kit, Includes STD Bearing Retainer	2	X06640-1	
	Bearing Isolator Kit, Includes SS Bearing Retainer	2	X06640-2	
15	Bearing, Rear	2	107186	
16	Bearing, Front	2	060 036 000	
17	Key, Gear	2	060 037 000	
20	Dowel Pin, Upper Cover Side	1	CD0 040 000	
21	Dowel Pin, Upper Gear Case Side	1	CD0 040 R00	
22	Dowel Pin, Lower Cover Side	1	CD0 040 100	
23	Dowel Pin, Lower Gear Case Side	1	CD0 040 R10	
24	Plug w/ washer, 3/4-16	6	000 046 004	40
	Oil Plug, M20 x 1.5"	5	115798	41
	Oil Level Indicator, M20 x 1.5"	1	115799	41
25	Silicone Sealant	1	000 142 301	
26	Nut, Rotor	2	101806	
* 26A	O-Ring, Rotor Nut, Buna N	2	N70227	
	O-Ring, Rotor Nut, EPDM	2	E70227	
	O-Ring, Rotor Nut, FKM	2	V70227	
26B	Belleville Washer	2	101693	
* 26C	O-Ring, Retainer, Buna N	2	N70119	
	O-Ring, Retainer, EPDM	2	E70119	
	O-Ring, Retainer, FKM	2	V70119	
* 26D	O-Ring, Rotor Hub, Buna N	2	N70224	
	O-Ring, Rotor Hub, EPDM	2	E70224	
	O-Ring, Rotor Hub, FKM	2	V70224	

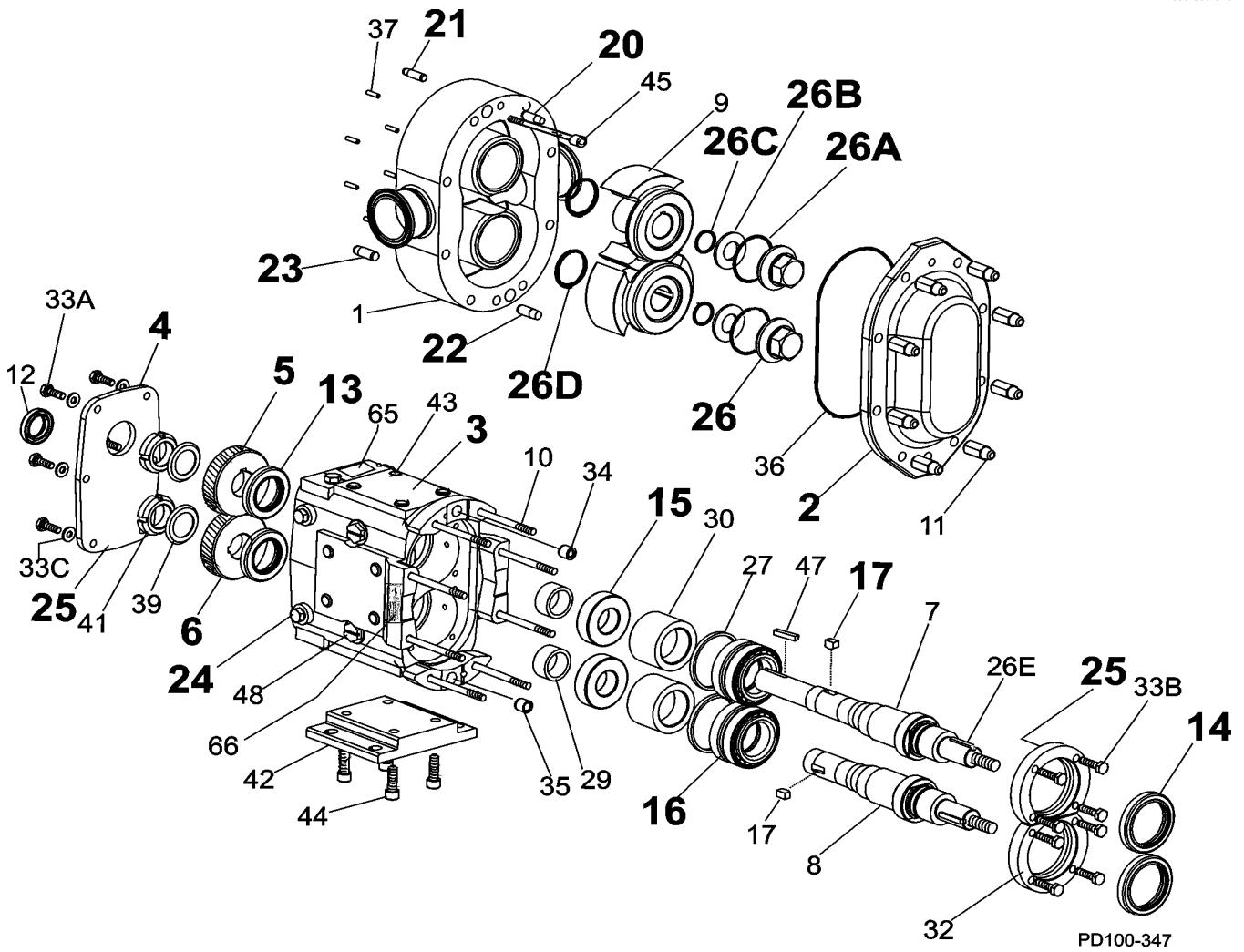
NOTES:

40. Pumps shipped prior to 5/15/03

41. Pumps shipped after 5/15/03

* **Recommended Spare Parts**

045 - 060 - 064 - 130 - 134-U2 Common Parts Diagram



045 - 060 - 064 - 130 - 134-U2 COMMON PARTS PRICE LIST

ITEM NO.	DESCRIPTION	QTY. PER PUMP	PART NO.	NOTES
26E	045-U2 Key, Rotor	2	110926	
	060-064-U2 Key, Rotor	2	101823	
	130-134-U2 Key, Rotor	2	101825	
27	Shim Kit	2	117891	
29	Spacer, Gear to Rear Bearing	2	107187	
30	Bearing Spacer	2	060 055 003	
31	Grease Retainer, Rear Bearing	2	STD 091 002	
32	Bearing Retainer, Front, STD	2	060 080 000	
	Bearing Retainer, Front, SS	2	101812	
33A	3/8-16 x 3/4" HHCS, STD Gear Case Cover	6	30-314	
	3/8-16 x 3/4" HHCS, SS Gear Case Cover	6	30-50	
33B	3/8-16 x 1-1/4" HHCS, STD Bearing Retainer	8	30-351	
	3/8-16 x 1-1/4" HHCS, SS Bearing Retainer	8	30-60	
33C	3/8" Flat Washer, Gear Case Cover	6	43-189	
34	Dowel Bushing, Upper	1	CD0 116 000	
35	Dowel Bushing, Lower	1	CD0 116 100	
* * * * * *	O-Ring, Pump Cover, Buna N	1	N70373	
	O-Ring, Pump Cover, EPDM	1	E70373	
	O-Ring, Pump Cover, FKM	1	V70373	
	O-Ring, Pump Cover, Silicone	1	S75373	
36B	064-U2 O-Ring, Rectangular Flange	1	N70366	
	134-U2 O-Ring, Rectangular Flange	1	N70369	
37	Stop Pin, Seal	6	101720	
39	Lockwasher, Gear	2	STD 136 009	
41	Locknut, Gear	2	STD 236 009	
42	Gear Case Shim, CI	1	070 110 000	
	Gear Case Shim, SS; Optional	1	102286	
	Pump Pedestal, 5.5", Optional	1	CD0 110 SM5	
	Pump Pedestal, 10", Optional	1	CD0 110 SM1	
43	Plastic Cap Plug	6	000 121 001	
44	1/2-13 x 1-1/4" SHCS	4	30-275	
	1/2-13 x 1-1/4" SS SHCS	4	30-503	
45	045-U2 Body Retaining Screws, 5/16-8 x 2-1/2"	2	30-615	
	060-064-U2 Body Retaining Screws, 5/16-8 x 3"	2	30-319	
	130-134-U2 Body Retaining Screws, 5/16-8 x 4"	2	30-423	
46	Eye Bolt, 1/2 -13	2	30-360	
47	Key, Coupling - 3/8 x 3/8 x 1-5/8"	1	000 037 003	
48	Cleanout Plug	2	41013	

NOTES:

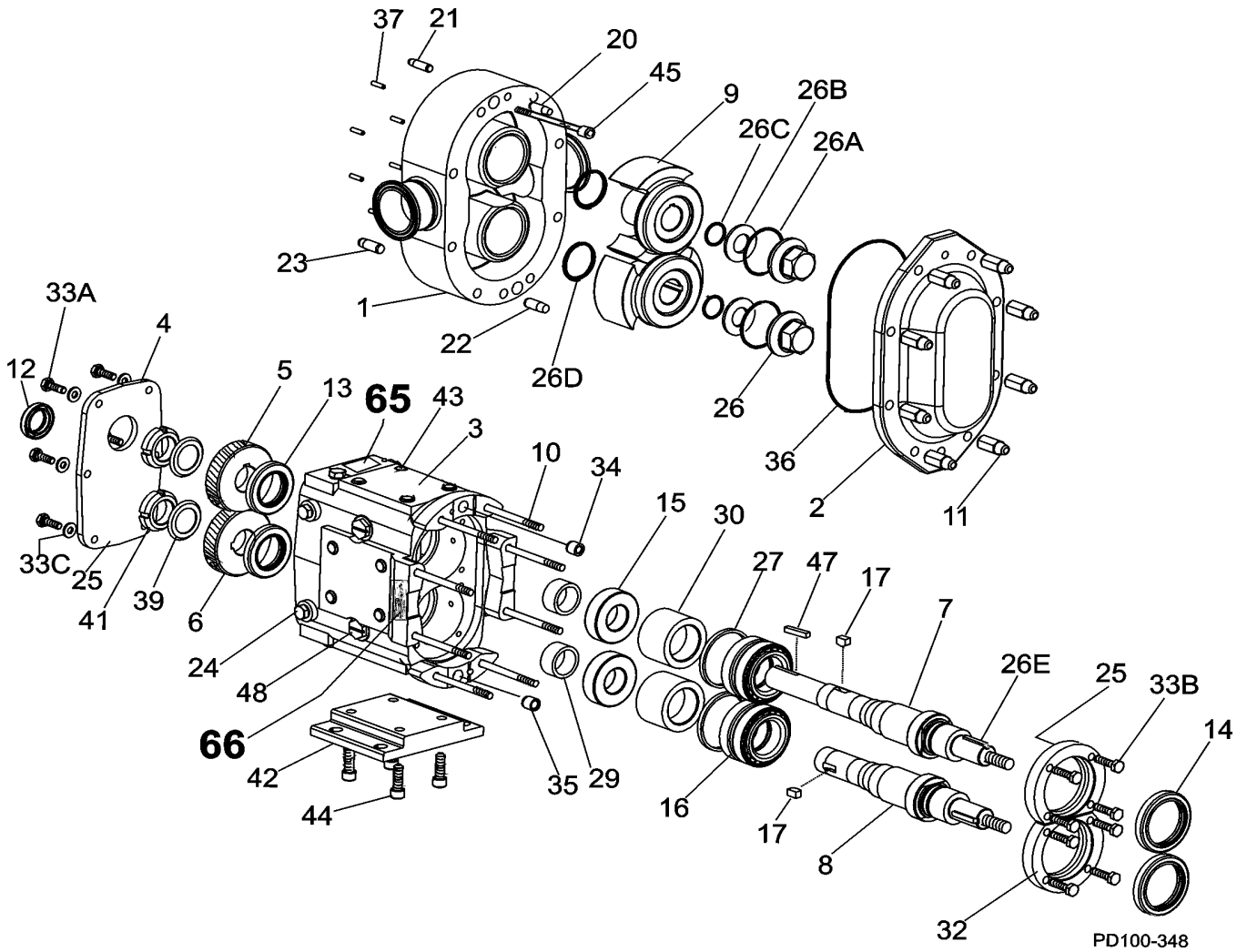
* Recommended Spare Parts

045 - 060 - 064 - 130 - 134-U2 COMMON PARTS PRICE LIST



ITEM NO.	DESCRIPTION	QTY. PER PUMP	PART NO.	NOTES
61	Name Plate, Sanitary	1	001 061 002	
62	#2 x .125" RHDS	4	30-355	
65	Caution Plate	2	33-62	
66	Warning Label	2	33-60	
67	045-060-130-U2 Grease Fitting, 1/8"	4	BD0 092 000	
	064-134-U2 Grease Fitting, 1/8"	4	BD0 092 100	
68	Plastic Cap, Grease Fitting	4	BD0 093 000	

045 - 060 - 064 - 130 - 134-U2 Common Parts Diagram



045 - 060 - 064 - 130 - 134-U2 SEAL PRICE LIST

ITEM NO.	DESCRIPTION	QTY. PER PUMP	PART NO.	NOTES
MECHANICAL SEAL PARTS				
* 91	O-Ring, Inner Seal, Buna N	2	N70035	
* 91	O-Ring, Inner Seal, EPDM	2	E70035	
* 91	O-Ring, Inner Seal, FKM	2	V70035	
* 92	O-Ring, Shaft, Buna N	2	N70133	25
* 92	O-Ring, Shaft, EPDM	2	E70133	25
* 92	O-Ring, Shaft, FKM	2	V70133	
* 93	Seal Seat, Ceramic	2	101673	
* 93	Seal Seat, Silicon Carbide	2	101674	
* 94	Seal Inner, Carbon (1 Piece)	2	101659	
* 94	Seal Inner, Ceramic	2	101660	
* 94	Seal Inner, Silicon Carbide	2	101661	
* 94	Seal Inner, Tungsten Carbide	2	101662	
95	Wave Spring, Inner Seal	2	101687	
* 96	O-Ring, Outer Seal, Buna N	2	N70043	8
* 96	O-Ring, Outer Seal, EPDM	2	E70043	8
* 96	O-Ring, Outer Seal, FKM	2	V70043	8
97	Wave Spring, Outer Seal	2	101688	
* 98	Outer Seal, Carbon	2	101681	8

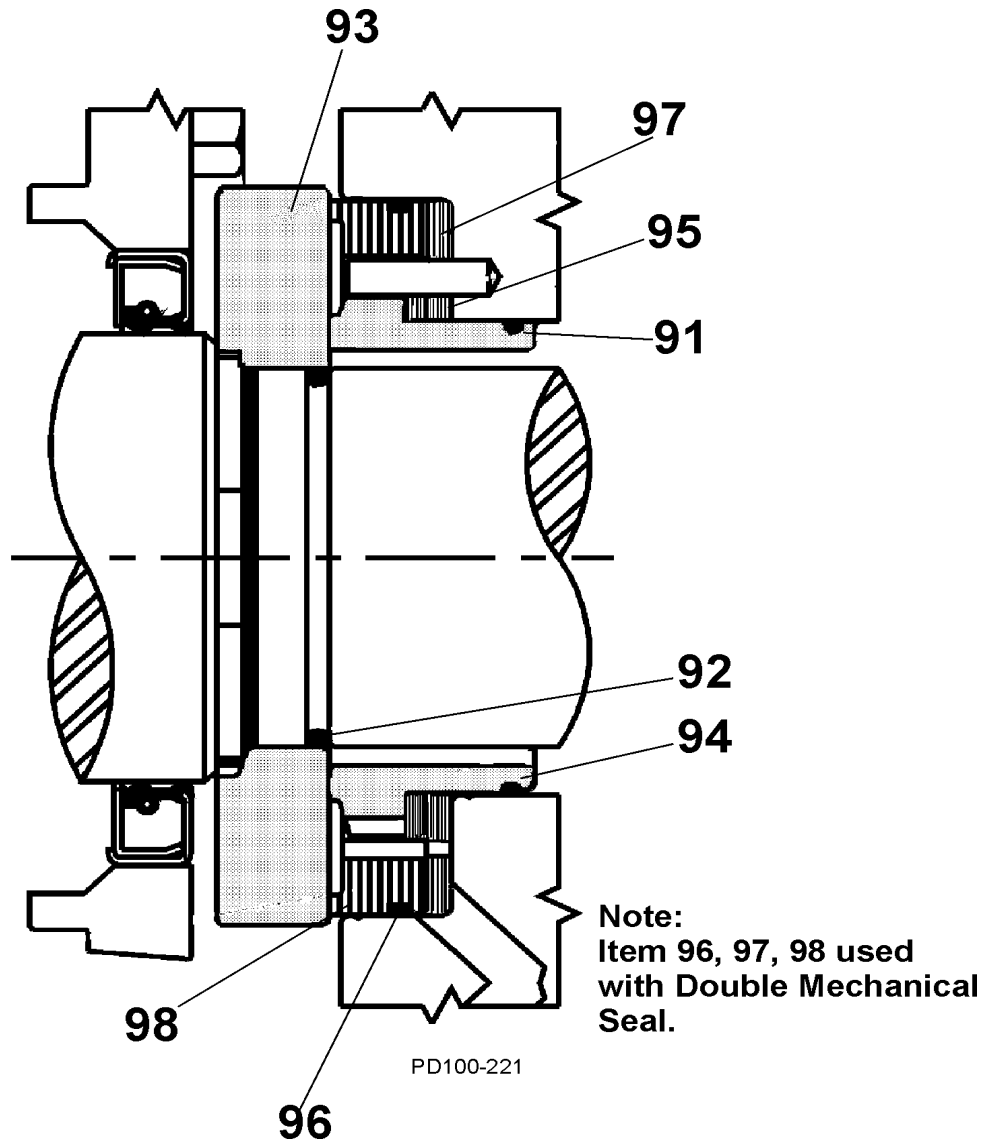
NOTES:

8. Used with Double Mechanical Seal.

25. Sold in packages of 25 only.

* **Recommended Spare Parts**

045 - 060 - 064 - 130 - 134 -U2 Seal Parts Diagram



045 - 060 - 064 - 130 - 134-U2 VENTED COVER PRICE LIST

ITEM NO.	DESCRIPTION	QTY. PER PUMP	PART NO.	NOTES
MANUAL VENTED COVER				
101	Vented Cover	1	103671	
102	Adjusting Screw	1	113657	
103	Spring Plunger	1	113397	
104	Locknut	1	GD0 074 000	
105	Spring, Medium (less than 150 PSI)	1	113523	
	Spring, High (more than 150 PSI)	1	113400	
106	Diaphragm Bushing	1	CD0 077 000	
107	Cover Nut	1	113398	
* 108	Rubber Diaphragm, Buna N	1	CD0 078 000	
PNEUMATIC VENTED COVER				
101	Vented Cover	1	103671	
* 108	Diaphragm, Buna N	1	CD0 078 000	
110	Diaphragm Bushing	1	CD0 077 P00	
111	Cover Nut	1	CD0 075 P00	
PISTON VENTED COVER				
101	Vented Cover	1	103671	
112	Piston	1	CD0 073 P10	
* 113	O-Ring, Bushing Seal, Buna N	1	N70239	
114	Diaphragm Bushing	1	CD0 077 P10	
* 115	O-Ring, Nut Seal, Buna N	1	N70240	
116	Cover Nut	1	CD0 075 P10	
* 117	Piston Seal, Quad Ring	1	CD0 133 000	9
* 117	Piston Seal, O-Ring	1	N70236	9

NOTES:

9. Quad Ring and O-Ring can be interchanged.

* **Recommended Spare Parts**

045 - 060 - 064 - 130 - 134-U2 Vented Cover Parts Diagram

