

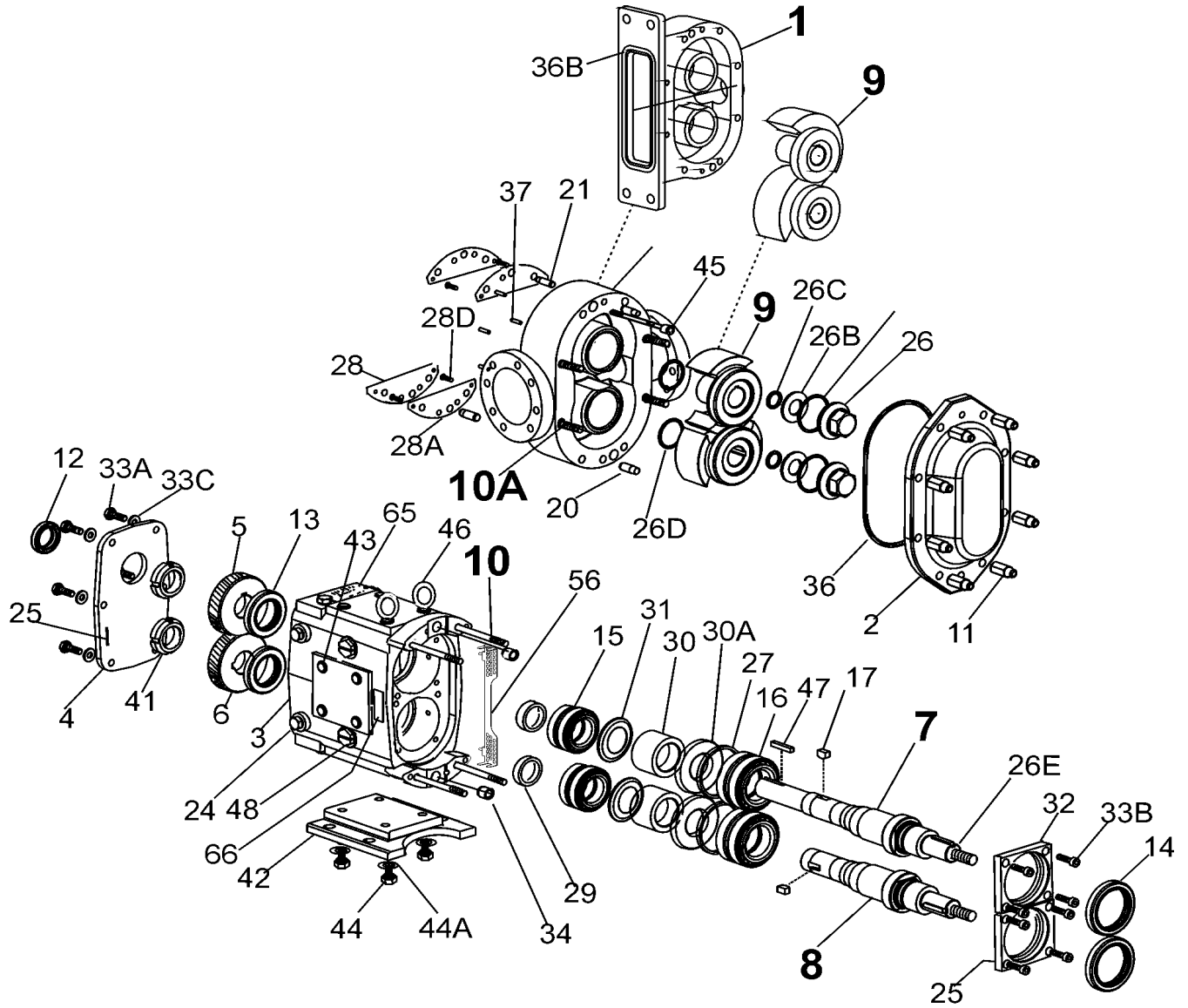
210 - 213 - 224 - 320 - 323 - 324-U2 PUMP PARTS PRICE LIST

ITEM NO.	DESCRIPTION	QTY. PER PUMP	PART NO.	NOTES
1	210-U2 Pump Body	1	See Note 1	1
	210-U2 Pump Body with Flush	1	See Note 1	1
	213-U2 Pump Body	1	See Note 1	1
	214-U2 Pump Body	1	See Note 1	1
	214-U2 Pump Body with Flush	1	See Note 1	1
	320-U2 Pump Body	1	See Note 1	1
	320-U2 Pump Body with Flush	1	See Note 1	1
	323-U2 Pump Body	1	See Note 1	1
	324-U2 Pump Body	1	See Note 1	1
	324-U2 Pump Body with Flush	1	See Note 1	1
7	210-224-U2 Drive Shaft	1	112186	
	213-U2 Drive Shaft	1	112188	
	320-324-U2 Drive Shaft	1	108417	
	323-U2 Drive Shaft	1	113960	
8	210-224-U2 Short Shaft	1	112187	
	213-U2 Short Shaft	1	112189	
	320-324-U2 Short Shaft	1	108418	
	323-U2 Short Shaft	1	113961	
9	210-213-214-U2 Rotor, Twin Wing, Alloy 88	2	112199	2
	210-213-214-U2 Rotor, Twin Wing, 316SS	2	112211	2
	210-213-214-U2 Rotor, Single Wing, Alloy 88	2	117220	2
	320-324-U2 Rotor, Twin Wing, Alloy 88	2	105427	2
	320-324-U2 Rotor, Twin Wing, 316SS	2	105439	2
	320-324-U2 Rotor, Single Wing, Alloy 88	2	117153	2, 12
	323-U2 Rotor, Twin Wing, Alloy 88	2	114022	2
10	213-320-323-324-U2 Stud, Long	4	111291	
	210-214-U2 Stud, Long, Jacketed Cover	4	112191	

NOTES:

1. Contact Factory with Serial Number of pump for Part Number.
2. Standard clearances and finishes for Rotor Part Numbers shown. Contact Factory for optional clearances and finishes.
12. Replaces P/N 107662 (straight) and 107663 (90 degree) rotors.

210 - 213 - 214 - 320 - 323 - 324-U2 Pump Parts Diagram



PD100-354

210 - 213 -224 - 320 - 323 - 324-U2 COMMON PARTS PRICE LIST



ITEM NO.	DESCRIPTION	QTY. PER PUMP	PART NO.	NOTES
2	210-224-U2 Pump Cover	1	112864	
	210-224-U2 Jacketed Cover	1	114358	
	320-324-U2 Pump Cover	1	105406	
	320-324-U2 Jacketed Cover	1	114359	
	213-323-U2 Pump Cover	1	112185	
3	Gear Case, CI	1	105478	
4	Gear Case Cover, Steel	1	40669	
5	Gear, Drive Shaft, Spur	1	102470	
6	Gear, Short Shaft, Spur	1	102470	
11	Hex Nut	8	108373	
	Wing Nut, Optional	8	110858	
12	Oil Seal, Gear Case Cover	1	STD 030 004	
13	Oil Seal, Gear Case Rear	2	102475	
14	Grease Seal, Bearing Retainer	2	STD 030 002	
	Bearing Isolator Kit, Incl. STD Bearing Retainer	2	X06634-3	
15	Bearing, Rear	2	OH1 036 000	
16	Bearing, Front	2	OH1 036 003	
17	Key, Gear	2	OH1 037 000	
20	Dowel Pins, Cover Side	2	OH1 040 000	
21	Dowel Pins, Gear Case Side	2	105871	
24	Plug w/ washer, 3/4-16	6	000 046 004	40
	Oil Plug, M20 x 1.5"	5	115798	41
	Oil Level Indicator, M20 x 1.5"	1	115799	41
25	Silicone Sealant	1	000 142 301	
26	Nut, Rotor	2	105409	
* * * * 26A	O-Ring, Rotor Nut, Buna N	2	N70237	
	O-Ring, Rotor Nut, EPDM	2	E70237	
	O-Ring, Rotor Nut, FKM	2	V70237	
	O-Ring, Rotor Nut, Silicone	2	S75237	
26B	Washer, Belleville	2	105411	
* * * * 26C	O-Ring, Retainer, Buna N	2	N70125	
	O-Ring, Retainer, EPDM	2	E70125	
	O-Ring, Retainer, FKM	2	V70125	
	O-Ring, Retainer, Silicone	2	S75125	
* * * * 26D	O-Ring, Rotor Hub, Buna N	2	N70232	
	O-Ring, Rotor Hub, EPDM	2	E70232	
	O-Ring, Rotor Hub, FKM	2	V70232	
	O-Ring, Rotor Hub, Silicone	2	S75232	
26E	210-213-224-U2 Key, Rotor	2	105422	
	320-323-324-U2 Key, Rotor	2	105421	
27	Shim Kit	2	117893	

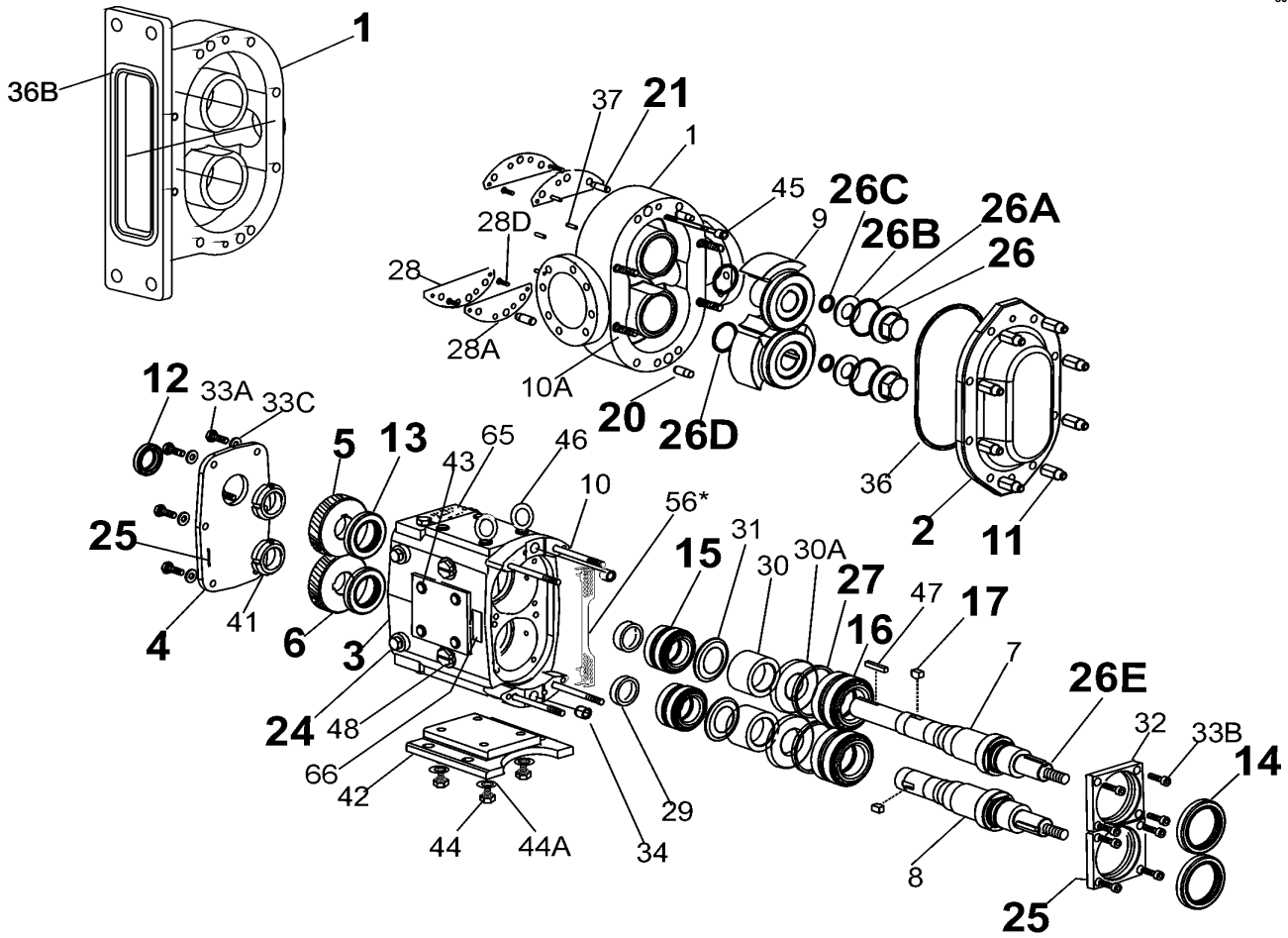
NOTES:

40. Pumps shipped prior to 5/15/03

41. Pumps shipped after 5/15/03

* **Recommended Spare Parts**

210 - 213 - 224 - 320 - 323 - 324-U2 Common Parts Diagram



PD100-353

210 - 213 - 224 - 320 - 323 - 324-U2 COMMON PARTS PRICE LIST



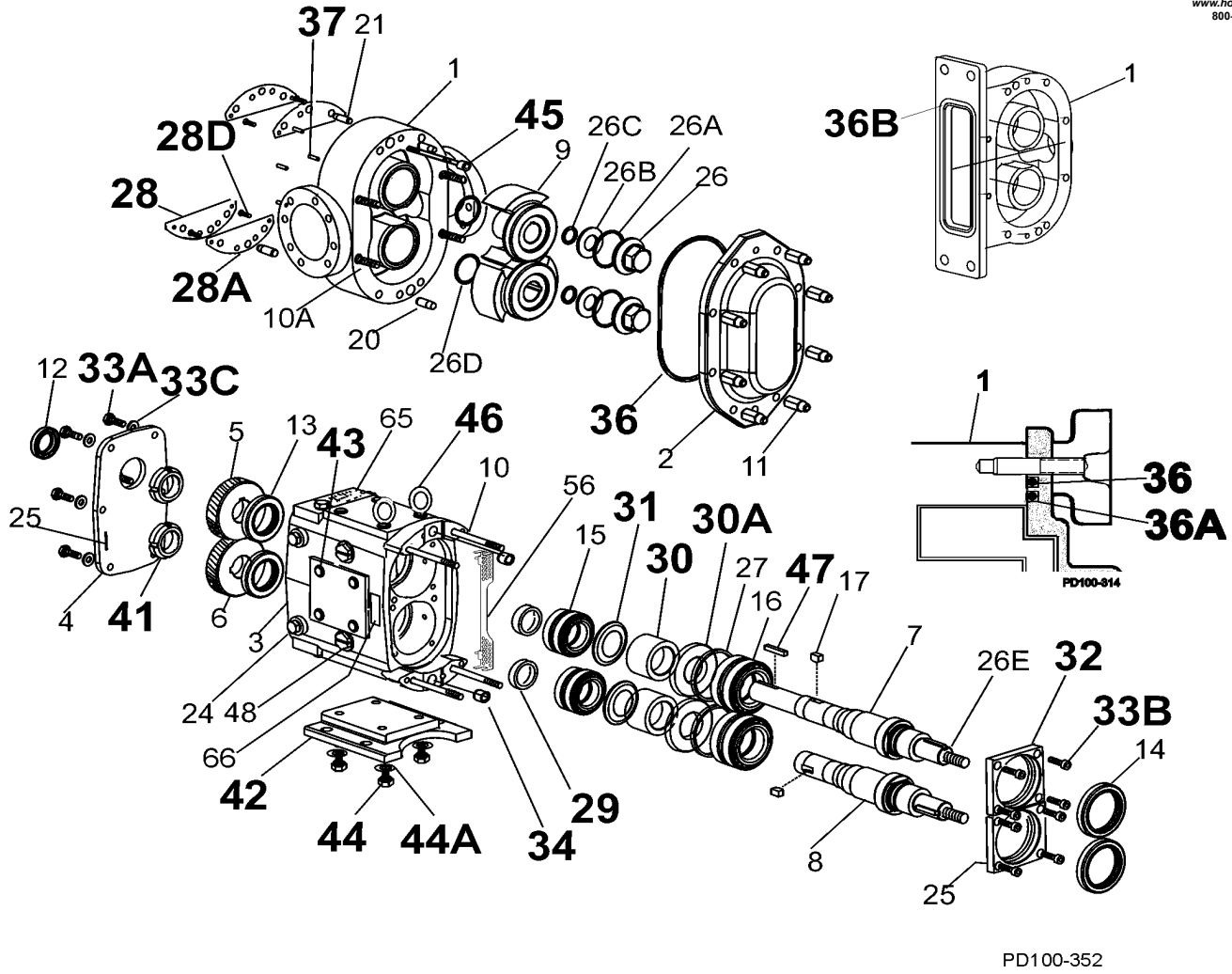
ITEM NO.	DESCRIPTION	QTY. PER PUMP	PART NO.	NOTES
28	Shim Plate	2	105426	
28A	Shims, Body, .002	AR	105866	
	Shims, Body, .003	AR	105867	
	Shims, Body, .005	AR	105868	
	Shims, Body, .010	AR	105869	
	Shims, Body, .020	AR	105870	
28D	5/16-18 x 1" FHSCS	4	30-612	
29	Spacer, Gear to Rear Bearing	2	102474	
30	Bearing Spacer	2	102472	
30A	Spacer Seal	2	102473	
31	Retainer, Grease	2	STD 091 000	
32	Bearing Retainer, Front	2	OH1 080 000	
33A	3/8-16 x .75" HHCS	6	30-314	
33B	5/16-18 x 1" SHCS	8	30-343	
33C	3/8" Flat Washer	6	43-189	
34	Dowel Bushings	2	OH1 116 000	
* * * * * * * * * * * *	210-224-U2 O-Ring, Pump Cover, Buna N	1	N70382	
	210-224-U2 O-Ring, Pump Cover, EPDM	1	E70382	
	210-224-U2 O-Ring, Pump Cover, FKM	1	V70382	
	210-224-U2 O-Ring, Pump Cover, Silicone	1	S75382	
	320-324-U2 O-Ring, Pump Cover, Buna N	1	N70383	
	320-324-U2 O-Ring, Pump Cover, EPDM	1	E70383	
	320-324-U2 O-Ring, Pump Cover, FKM	1	V70383	
	320-324-U2 O-Ring, Pump Cover, Silicone	1	S75383	
	213-323-U2 O-Ring, Pump Cover, Outer, EPDM	1	323 117 012	11
	213-323-U2 O-Ring, Pump Cover, Outer, Silicone	1	323 117 013	11
	213-323-U2 O-Ring, Pump Cover, Outer, FKM	1	323 117 014	11
	* * *	213-323-U2 O-Ring, Pump Cover, Inner, EPDM	1	323 117 002
213-323-U2 O-Ring, Pump Cover, Inner, Silicone		1	323 117 003	11
213-323-U2 O-Ring, Pump Cover, Inner, FKM		1	323 117 004	11
* *	214-U2 Flange O-ring	1	N70377	
	324-U2 Flange O-ring	1	N70378	
37	Stop Pin, Seal	6	102438	
41	Locknut, Gear	2	105697	
42	Gear Case Shim, CI	1	40288	
	Pump Pedestal, 22", Optional	1	324 110 226	
43	Plastic Cap Plug	8	000 121 001	
44	1/2-13 x 1-3/4" HHCS	4	30-250	
44A	Lock Washer, 1/2"	4	43-177	
45	210-213-224-U2 Body Retaining Screws - 3/8-16 x 3-1/2"	2	30-326	
	320-324-U2 Body Retaining Screws - 3/8-16 x 4-1/2"	2	30-499	
	323-U2 Body Retaining Screws - 3/8-16 x 4"	2	30-323	
46	Eye Bolt	3	30-360	
47	Key, Coupling - 5/8 x 5/8 x 2-3/4"	1	000 037 005	

NOTES:

11. Used on 213-U2 and 323-U2 only.

* Recommended Spare Parts

210 - 213 - 224 - 320 - 323 - 324-U2 Common Parts Diagram



210 - 213 - 224 - 320 - 323 - 324-U2 COMMON PARTS PRICE LIST

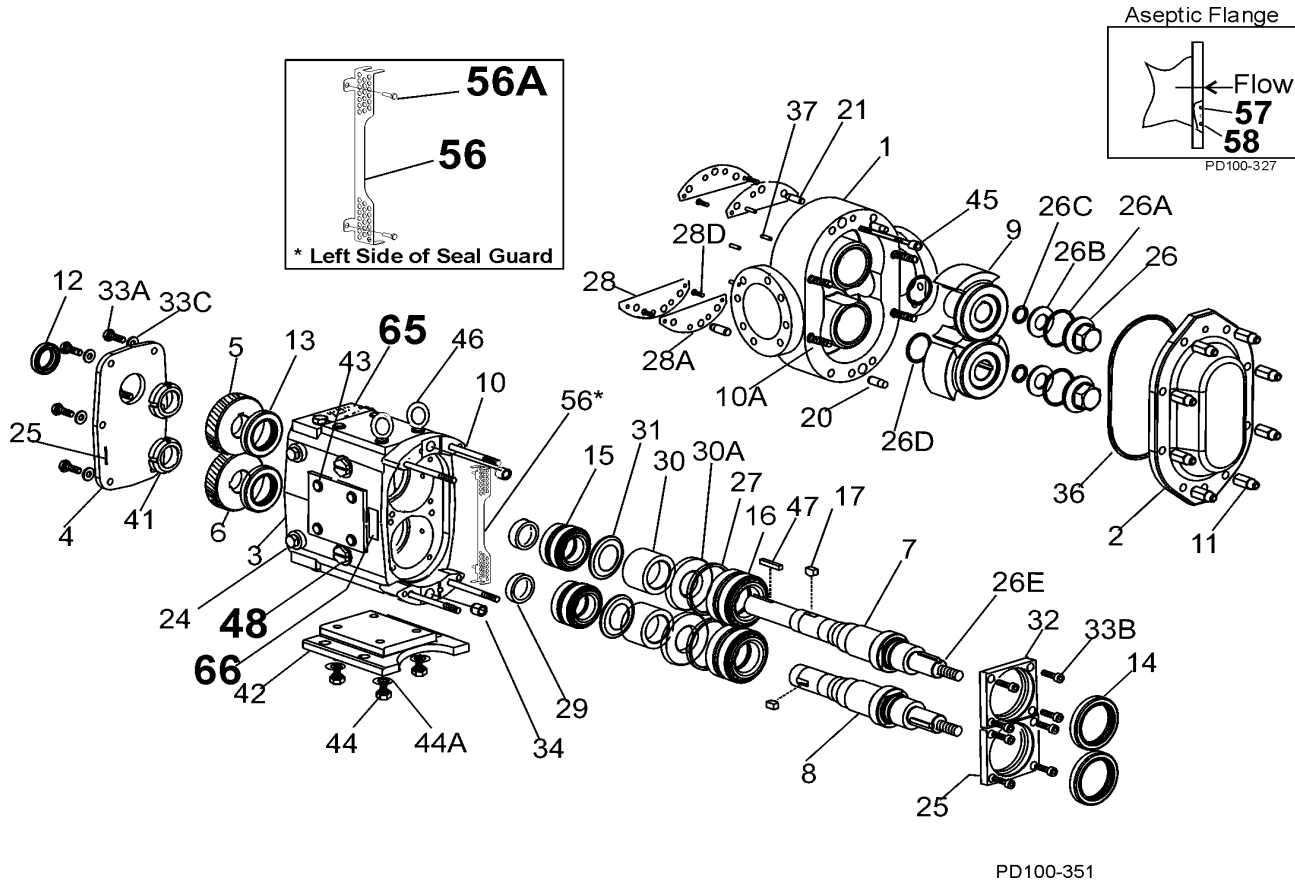
ITEM NO.	DESCRIPTION	QTY. PER PUMP	PART NO.	NOTES
48	Cleanout Plug	2	41013	
56	210-213-224-U2 Seal Guard	2	113503	
	320-323-324-U2 Seal Guard	2	113504	
56A	1/4 - 20 x 3/8" HHCS	4	30-68	
* 57	O-Ring, Port, Inner, EPDM	2	E70245	11
	O-Ring, Port, Inner, FKM	2	V70245	11
	O-Ring, Port, Inner, Silicone	2	S75245	11
* 58	O-Ring, Port, Outer, EPDM	2	E70251	11
	O-Ring, Port, Outer, FKM	2	V70251	11
	O-Ring, Port, Outer, Silicone	2	S75251	11
60A	1/8-27 Aseptic Connection Pipe Plugs	10	STD 128 500	11
61	Name Plate, Sanitary	1	001 061 002	
62	#2 x .125" RHDS	4	30-355	
65	Caution Plate	2	33-62	
66	Warning Label	2	33-60	
67	Grease Fitting, 1/8"	4	BD0 092 000	
68	Plastic Cap, Grease Fitting	4	BD0 093 000	

NOTES:

11. Used on 213-U2 and 323-U2 only.

* **Recommended Spare Parts**

210 - 213 -214 - 320 - 323 - 324-U2 Common Parts Diagram



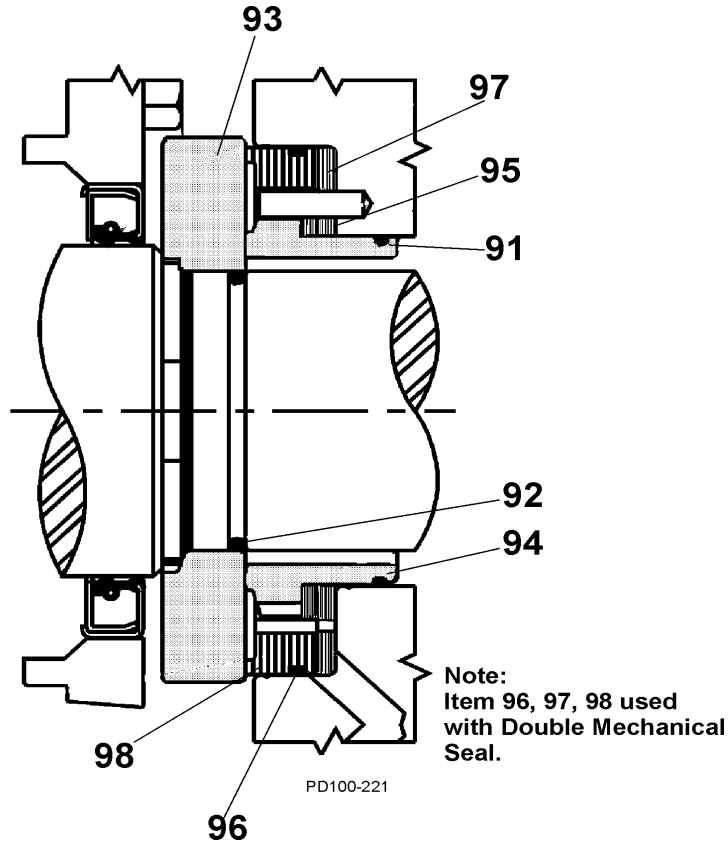
210 - 213 - 214 - 320 - 323 - 324-U2 SEAL PARTS PRICE LIST

ITEM NO.	DESCRIPTION	QTY. PER PUMP	PART NO.	NOTES
O-RING AND MECH SEAL PARTS				
* 91	O-Ring, Inner Seal, Buna N	2	N70154	25
* 91	O-Ring, Inner Seal, EPDM	2	E70154	
* 91	O-Ring, Inner Seal, FKM	2	V70154	
* 92	O-Ring, Shaft, Buna N	2	N70149	16
* 92	O-Ring, Shaft, EPDM	2	E70149	16
* 92	O-Ring, Shaft, FKM	2	V70149	16
* 93	210-214-320-324-U2 Seal Seat, Ceramic	2	105416	
* 93	210-214-320-324-U2 Seal Seat, Silicon Carbide	2	105417	
* 93	213-323-U2 Seal Seat, Silicon Carbide	2	112192	
* 94	Seal Inner, Carbon (1 Piece)	2	105412	
* 94	Seal Inner, Ceramic	2	105413	
* 94	Seal Inner, Silicon Carbide	2	105414	
* 94	Seal Inner, Tungsten Carbide	2	105415	
95	Wave Spring, Inner Seal	2	105419	
* 96	O-Ring, Outer Seal, Buna N	2	N70160	8
* 96	O-Ring, Outer Seal, EPDM	2	E70160	8
* 96	O-Ring, Outer Seal, FKM	2	V70160	8
97	Wave Spring, Outer Seal	2	105420	8
* 98	Outer Seal, Carbon	2	105418	8

Notes:

- 8. Used with Double Mechanical Seal.
- 16. (4) needed per pump on 213-U2 and 323-U2.
- 25. Sold in packages of 25 only.
- * **Recommended Spare Parts**

210 - 224 - 320 - 324-U2 Seal Parts Diagram



213 - 323-U2 Seal Parts Diagram

