

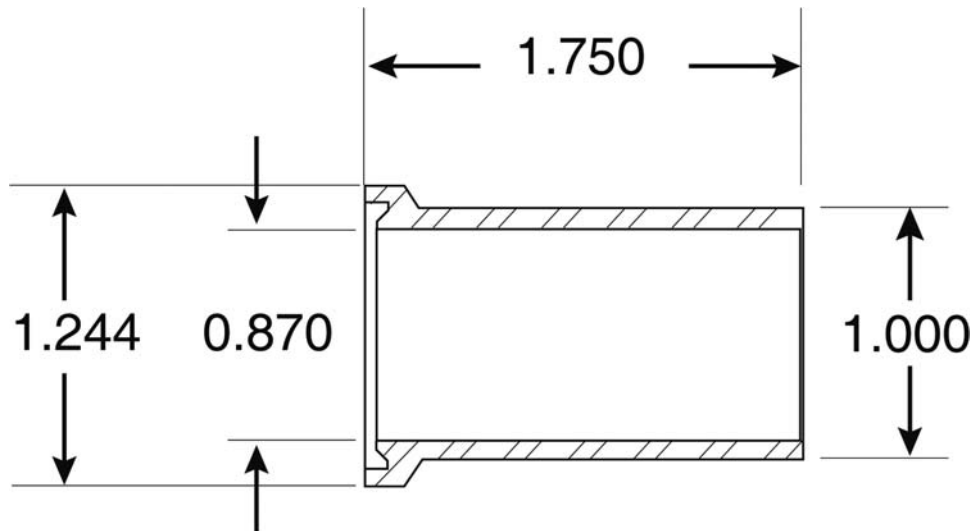
# 42 Style 1" Sanitary Clamp Union



*Traditional 1" sanitary clamp unions can have severe extrusion of the gasket into the ID of the tube. Clamp over tightening or exposure of the joint to thermal cycles can result in a joint that cannot fully drain. The Holland 42 style 1" union eliminates these potential problems.*

- Metal-to-metal seating of the mating ferrules controls gasket compression to ensure a smooth ID bore.
- Ferrules are made from 316L stainless steel.
- Standard ID polish 20Ra, OD 32RA, electropolished fittings available.
- All ferrules marked with heat number, MTR's available
- Choice of gasket materials
- Fittings and valves with the 1" 42 style joint available upon request.

# 42 Style 1" Sanitary Clamp Union



## Part Numbers

Ferrule: TLS14AM7-1-316L-HH  
 Clamp: 13MHHS-1-S-HH  
 Gasket: 42MP-(material code)-1-HH

## Gasket Material Codes

Viton: SFY  
 EPDM: E  
 Platinum Cure Silicone: PX



Standard 1" Viton gasket used in a water for injection system after being subjected to multiple steam cycles

**Holland**<sup>®</sup>  
**APPLIED TECHNOLOGIES**

## Chicago

7050 High Grove Blvd.  
 Burr Ridge, IL 60527  
 Phone 630/325-5130  
 Fax 630/654-2518

[www.hollandapt.com](http://www.hollandapt.com)

## Indianapolis

5647 West 73rd Street  
 Indianapolis, IN 46278  
 Phone 317/299-4372  
 Fax 317/299-4912