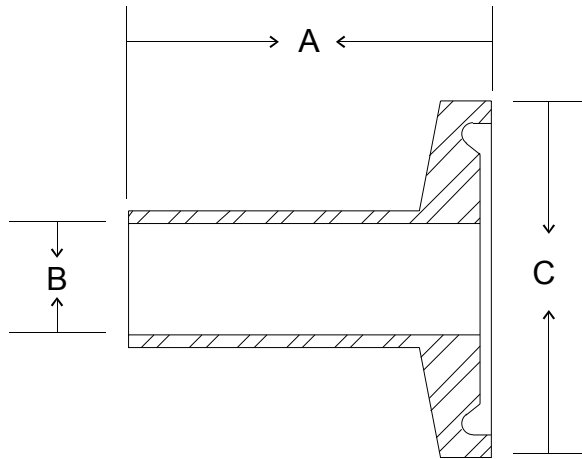


1/4" and 3/8" Sanitary Ferrules and Gaskets



- Ferrules are made from 316L stainless steel.
- All ferrules heat traced. MTR's available upon request.
- 20 Ra ID polish is standard. Higher finishes and electropolish is available.
- Gaskets available in EPDM, fluoroelastomer, PTFE and platinum cured silicone.
- Ferrules use standard 3/4" sanitary clamps
- Fittings and valves with 1/4" and 3/8" sanitary clamp joints available upon request.

1/4" and 3/8" Sanitary Ferrules and Gaskets



Ferrule Dimensions

Size	Dim A	Dim B	Dim C
1/4"	1"	0.182	0.984
3/8"	1"	0.307	0.984

Part Numbers

Description	1/4"	3/8"
Ferrule	L14AM7-.25-316L-HH	L14AM7-.375-316L-HH
Gasket-PTFE	42MP-G-.25	42MP-G-.375
Gasket-EPDM	42MP-E-.25	42MP-E-.375
Gasket-Fluoroelastomer (FKM)	42MP-SFY-.25	42MP-SFY-.375
Gasket-Platinum Cured Silicone	42MP-PX-.25	42MP-PX-.375



Chicago

7050 High Grove Blvd.
Burr Ridge, IL 60527
Phone 630/325-5130
Fax 630/654-2518

www.hollandapt.com

Indianapolis

5647 West 73rd Street
Indianapolis, IN 46278
Phone 317/299-4372
Fax 317/299-4912