



FLOW
LEVEL
PRESSURE
ANALYTICAL
TEMPERATURE
INSTRUMENTATION
PASTEURIZATION CONTROLS

Holland[®]
APPLIED TECHNOLOGIES
Indianapolis • Chicago • San Juan
www.hollandapt.com
800-800-8464

"IZMS" Electromagnetic Flowmeter

- *Designed specifically for the food/beverage and dairy industries yielding proven, unsurpassed accuracy and reliability*
- *Standard two-piece design provides:*
 - *practical, easily accessible locations for operator display*
 - *protection for electronics from harsh operating environments*
- *Meets all USDA standards*
- *3-A compliant; Third party verified in accordance with standard 28-03*

The IZMS series electromagnetic flowmeter is the ideal choice for conductive fluids and slurries. Measurement accuracy is unaffected by product viscosity, density, temperature, and the presence of suspended particulates and solids. Unique signal processing methods developed from years of experience in the food and dairy industry

allows this flowmeter to provide exceptional accuracy and immunity against process and environmental variables.

Designed for simple installation and start up, the IZMS features automatic flow ranging and user friendly parameterization. Offered in a 2-piece design as standard gives the meter optimal performance and

longevity in hot, humid process environments typically found in the food and dairy processing industry.

For more information on this flowmeter, or any of our Accurate flow products, visit www.andinst.com or call our Customer Service Department directly at 1-800-833-0081.

APPLICATIONS

- Beer
- Beverage Concentrates
- Brine
- Catsup
- CIP Solution
- Milk
- Cream
- Juices
- Molasses
- Yogurt
- Peanut Butter
- Sauces



IZMS Specifications

Flow Tube

Connections: Sanitary Tri-Clamp®
 Construction: 304 SS
 Housing: PTFE (Non-filled Teflon®)
 Lining: 316L SS
 Electrodes: cast aluminum with corrosion resistant coating
 Connection Box: water tight cord grip and 1/2" NPT NPT SS conduit adapter sets supplied with each flow tube
 Wiring Connections: 300°F/149°C
 Maximum Product Temp: 115 psi / 8 bar
 Maximum Inlet Pressure: 7 psi absolute / 0.5 bar
 Minimum Inlet Pressure: 5 µS / cm
 Minimum Fluid Conductivity: DC pulsed with self-adapting adjustment
 Magnetic Field:

Converter

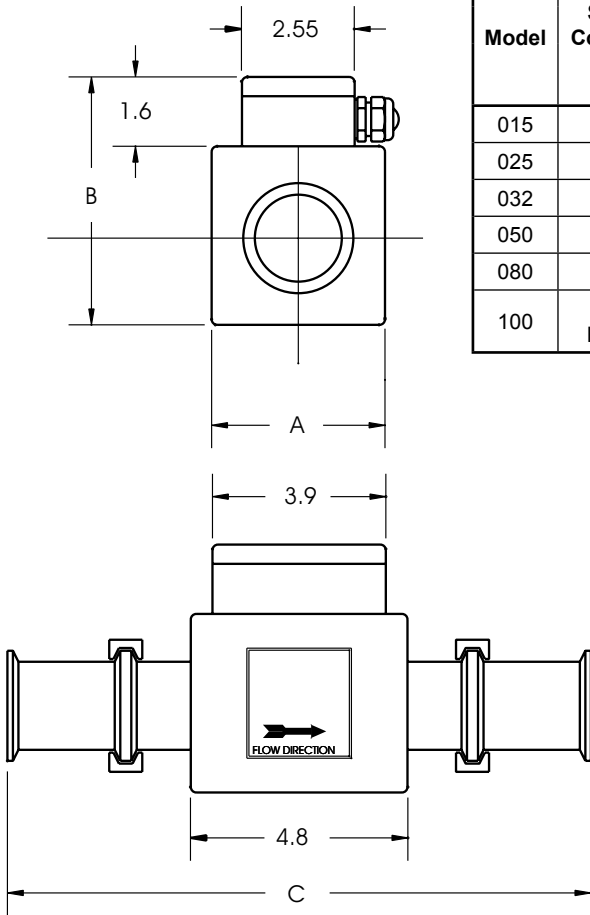
Power Requirements: Field selectable (by jumpers)
 115VAC/50-60 Hz/single phase
 230VAC/50-60 Hz/single phase
 10-30VDC available
 15VA (15 Watts)
 Fuse Protection: 315mA slow response 5x20mm
 Scaled Digital Outputs: Two (2) independent, scalable pulsed outputs
 Open collector 30V@80mA
 Opto-isolated
 Scaling Factors: From 0.00001 to 10,000 pulses per volumetric unit
 Output Pulse (Frequency & Width): Standard Configuration:
 1:1 pulse to pause ratio,
 1000 Hz Max.
 Adjustable: 1-60,000msec,
 1000 Hz Max.
 Fixed: 50 micro sec pulse width,
 1000 Hz Max.

Output Pulse Config: Selectable from following:
 2 independent
 2 channel by 90° shift
 2 channel by 180° shift
 3 channel by 120° shift
 1 forward flow, 1 reverse flow
 Output Control Signal: Open collector 30V@80mA
 Selectable from following:
 forward flow - error signal
 Analog Output: 4-20mA or 0-20mA selectable
 Adjustable averaging 0.1 to 10 sec
 Adjustable damping 0 to 60 sec
 Max. resistive load 500 ohms
 Display(option 1 & 2): Second passive analog output with HART Communication ver. 6
 Discrete Inputs: Suspended Operation - coil power supply off
 Remote reset internal totalizer with error reset
 Opto-isolated
 10-30V input from 3k Ohm internal resistor
 1msec min. pulse width with adjustable debounce
 LED Indicators: Pulse Output 1; Pulse Output 2;
 Forward Flow; Error Condition
 Rezero Feature: Pushbutton for automatic hydraulic re-zero of flow tube during field installation
 Serial Comm: RS485 serial interface
 Control System Bus protocol,
 57,600 Baud
 Internal Display (D option) and Keypad: 2-line, 20 digit alphanumeric backlit LCD display. 25 key membrane keypad
 Interconnecting Cable: 25ft. supplied as standard with factory prepared ends.
 Operating Temp: -4°F to 140°F (-20°C to 60°C)
 Converter Construction: Cast aluminum with SGBL corrosion-resistant coating
 Entry Wiring Connections: Water tight cord grip and 1/2" female SS NPT conduit adapter sets supplied with each converter

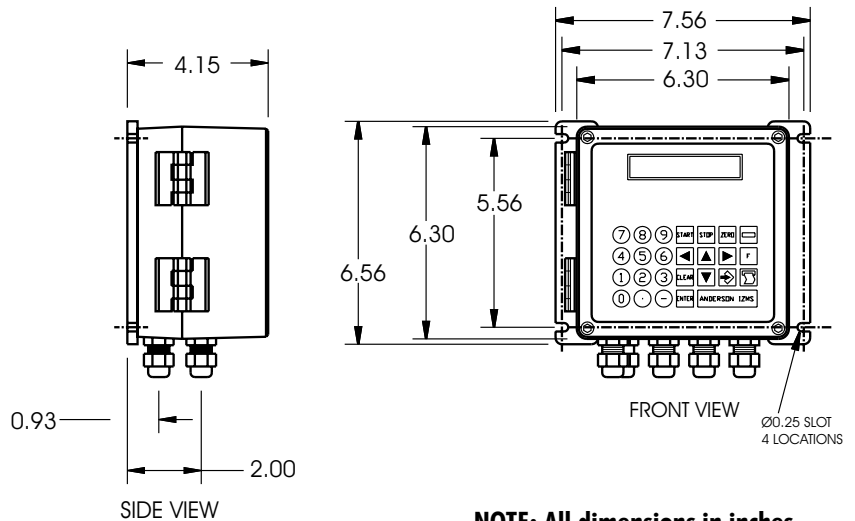
FLOW RANGES

Connection Size	Total operational range	Metering accuracy at rate	
		gallons per minute	
inches		<1%	<.25%
3/4	.11 - 26.4	>.11 gpm	>.26 gpm
1	.26 - 88	>.26 gpm	>1.0 gpm
1 1/2	.44 - 132	> .44 gpm	> 1.8 gpm
2	.88 - 286	> .88 gpm	> 3.5 gpm
2 1/2	1.8 - 440	> 1.8 gpm	> 6.2 gpm
3	2.6 - 880	> 2.6 gpm	> 10.6 gpm
4	6.6 - 1761	> 6.6 gpm	>26.4 gpm

DIMENSIONS



Model	Sanitary Connection Size	Dimensions						Approx. Wt.
		A	B	C				
				Standard	Option 1	Option 2	Option 3	
015	1" / 3/4"	3.9"	7.9"	13.25"	9.88"	10.50"	—	11 lbs.
025	1"	3.9"	7.9"	13.25"	9.88"	—	—	11 lbs.
032	1-1/2"	3.9"	7.9"	13.25"	9.88"	—	—	11 lbs.
050	2"	5.1"	9.1"	13.25"	9.88"	—	—	17 lbs.
080	3"	6.5"	10.4"	13.25"	9.88"	—	—	26 lbs.
100	4" *APV FLANGE	7.5"	9.1"	11.67"	—	—	13.67"	34 lbs.



NOTE: All dimensions in inches

HOW TO ORDER

I Z M S [] [] [] [] [] [] [] [] [] []

FLOW TUBE

015 5/8" Flow Tube
 025 1" Flow Tube
 032 1-1/4" Flow Tube
 050 2" Flow Tube
 065 2-1/2" Flow Tube
 080 3" Flow Tube
 100 4" Flow Tube

DISPLAY OPTION

0 No Display
 D Display Option
 1 Additional passive analog output with HART Communication, no display
 2 Additional passive analog output with HART Communication and display

OPERATING POWER

0 24VDC
 1 115 VAC 50/60 Hz
 2 230 VAC 50/60 Hz

CABLE

0 Standard 25' cable
 1 50' cable
 2 75' cable
 3 100' cable
 C Integral Electronics (no cable)

COUNTRY

0 US
 C Canada

METER LENGTH

0 Standard 13.25"
 1 Optional 9.88" (Drop-in replacement for PD340 meters)
 2 Optional 3/4" T.C. on IZMS 015 length 10.5"
 3 4" Tri-Clamp® connection for IZMS100

OPTIONS

0 No sealing device
 1 Sealing Screws
 2 SS Term Enc., No Sealing Device
 3 SS Term Enc., Sealing Screws

ACCESSORIES

Part Number	Description
MSD	Service Terminal Unit/ Hand-held Programmer
IZM-USB	USB Communication Interface

REPLACEMENT PARTS

Part Number	Description
300-16	Silicone Gasket for IZMS015
300-26	Silicone Gasket for IZMS025
300-33	Silicone Gasket for IZMS032
300-51	Silicone Gasket for IZMS050
300-66	Silicone Gasket for IZMS065
300-85	Silicone Gasket for IZMS080
300-101F	Flange Gasket for IZMS100



FORM AIC 5035
Effective: January 2009
Supersedes: August 2008

ANDERSON INSTRUMENT CO., INC • 156 AURIESVILLE RD. • FULTONVILLE, NY 12072 • USA • 800-833-0081 • FAX 518-922-8997
ANDERSON INSTRUMENT CO. LP • 400 BRITANNIA RD. EAST, UNIT 1 • MISSISSAUGA, ONTARIO L4Z 1X9 • CANADA • 905-568-1440 • FAX 905-568-1652
NEGELE MESSTECHNIK GmbH (A Division of Anderson) • RAIFFEISENWEIG 7 • D-87743 EGG A. D. GÜNZ • GERMANY • +49 (0) 8333/9204-0 • FAX +49 (0) 8333/9204-49
MAIDA INTERNATIONAL (LATIN AMERICA & ASIA) 516-676-3079 • FAX 516-676-3199

www.andinst.com