

5050 - 5050DI - 5060 - 5060DI PUMP PARTS PRICE LIST

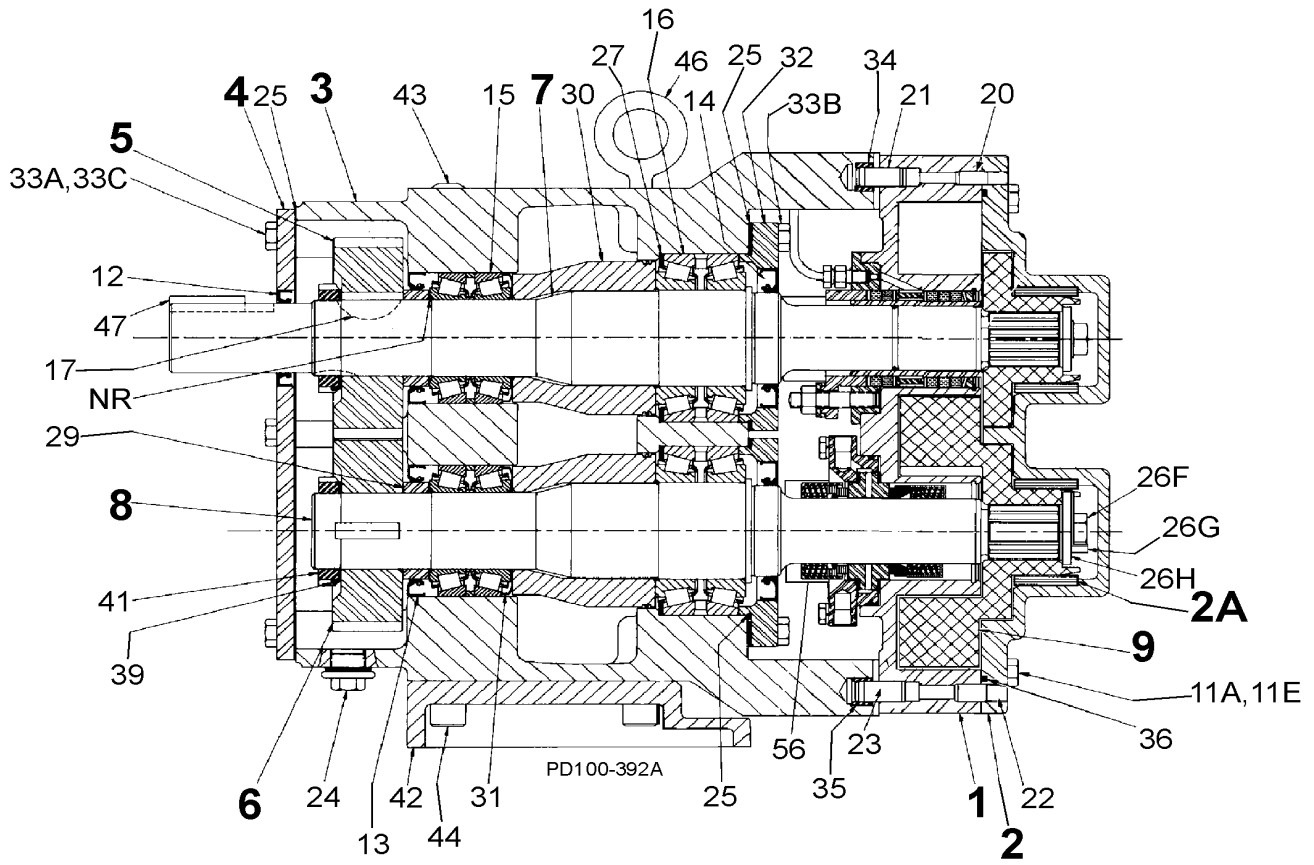
ITEM NO.	DESCRIPTION	QTY. PER PUMP	PART NO.	NOTES
1	5050 Pump Body, 2" NPT Mech. Seal	1	40091	1
	5050 Pump Body, 2" 150# RF Flg. Mech. Seal	1	40791	1
	5050 Pump Body, 2" NPT, Packing	1	40088	1
	5050 Pump Body, 2" 150# RF Flg., Packing	1	40793	1
	5050DI Pump Body, 2" NPT Female, Mech. Seal	1	40885	1
	5050DI Pump Body, 2" NPT Female, Packing	1	40884	1
	5060 Pump Body, 2-1/2" NPT Mech. Seal	1	40081	1
	5060 Pump Body, 2-1/2" 150# RF Flg. Mech. Seal	1	40795A	1
	5060 Pump Body, 2-1/2" NPT, Packing	1	40078	1
	5060DI Pump Body, 3" NPT Female, Mech. Seal	1	40887	1
	5060DI Pump Body, 3" NPT Female, Packing	1	40886	1
2	Pump Cover	1	0C1 002 000	
	Jacketed Cover	1	0C1 002 J10	
	DI Pump Cover	1	CD1 002 001	
	Pump Cover Vented - Complete Assembly			
	Manual	1	050 022 001	
2A	Cover Bushing, Carbon	2	0C1 048 000	
	Cover Bushing, Alloy 88	2	0C1 048 W00	
	Cover Bushing, Rulon	2	35383	
3	Gear Case, CI	1	40054	
4	Gear Case Cover, Steel (Includes Item 12 Oil Seal)	1	070 106 000	
5	Gear, Drive Shaft, Spur (Replaces 060 007 001)	1	107404	
6	Gear, Short Shaft, Spur (Replaces 060 007 002)	1	107404	
7	5050 Drive Shaft, Std., Mechanical Seal	1	40086	
	5050 Drive Shaft, Opt.17-4PH, Mech. Seal	1	35345	
	5050 Drive Shaft, Packing	1	40094	
	5060 Drive Shaft, Std., Mechanical Seal	1	40076	
	5060 Drive Shaft, Opt.17-4PH, Mech. Seal	1	35347	
	5060 Drive Shaft, Packing	1	40096	
7A/8A*	Shaft Assembly Pusher	1	109352	27
8	5050 Short Shaft, Std., Mechanical Seal	1	40087	
	5050 Short Shaft, Opt.17-4PH, Mech. Seal	1	35346	
	5050 Short Shaft, Packing	1	40095	
	5060 Short Shaft, Std., Mechanical Seal	1	40077	
	5060 Short Shaft, Opt.17-4PH, Mech. Seal	1	35348	
	5060 Short Shaft, Packing	1	40097	
9	5050 Rotor, Twin Wing, Alloy 88	2	0C1 010 200	2
	5050 Rotor, Twin Wing, 316SS	2	0C1 010 2S0	2
	5050DI Rotor, Twin Wing, Ductile Iron	2	0C1 010 700	2
	5060 Rotor, Twin Wing, Alloy 88	2	0E1 010 200	2
	5060 Rotor, Twin Wing, 316SS	2	0E1 010 2S0	2
	5060DI Rotor, Twin Wing, Ductile Iron	2	0E1 010 700	2

NOTES:

- Contact Factory with Serial Number of pump for Part Number.
- Standard clearances and finishes for Rotor Part Numbers shown. Contact Factory for optional clearances and finishes.
- Recommended tool.



5050 - 5050DI - 5060 - 5060DI Pump Parts Diagram



5050 - 5050DI - 5060 - 5060DI COMMON PARTS PRICE LIST

ITEM NO.	DESCRIPTION	QTY. PER PUMP	PART NO.	NOTES
11A	5050 HHCS, Long, 3/8-16 x 3.0"	4	30-179	
	5050 HHCS, Long, 3/8-16 x 5.5", Jacketed Cover	4	30-321	
	5060 HHCS, Long, 3/8-16 x 4.25"	4	30-317	
	5060 HHCS, Long, 3/8-16 x 6.5", Jacketed Cover	4	30-322	
11E	HHCS, Short, 3/8-16 x 1.25"	4	30-60	
	HHCS, Short, 3/8-16 x 3.75", Jacketed Cover	4	30-229	
12	Oil Seal, Gear Case Cover	1	000 030 012	
13	Oil Seal, Gear Case Rear	2	000 030 011	
14	Grease Seal, Bearing Retainer	2	40084	
	Bearing Isolator, includes Std. Bearing Retainer*	2	X06925-1	28
	Bearing Isolator, includes SS Bearing Retainer*	2	X06925-2	28
15	Bearing, Rear (Obsoleted 4/97)	2	060 035 000	
	Brg. Kit (Replaces 060 035 000) (Incl. 107186 & 107187)	2	107188	
	Bearing, Rear	2	107186	
16	Bearing, Front	2	060 036 000	
17	Key, Gear	2	060 037 000	
20	Dowel Pin, Upper Cover Side	1	CD0 040 000	
21	Dowel Pin, Upper Gear Case Side	1	CD0 040 R00	
22	Dowel Pin, Lower Cover Side	1	CD0 040 100	
23	Dowel Pin, Lower Gear Case Side	1	CD0 040 R10	
24	Plug with Washer, 1/2-20	6	000 046 004	40
	Oil Plug, M20 x 1.5"	5	115798	41, 42
	Oil Level Indicator, M20 x 1.5"	1	115799	41, 42
25	Silicone Sealant (Replaces Std Gaskets & O-Ring N70041)	1	000 142 301	
26F	Rotor Retaining HHCS, 1/2-13 x 1.25"	2	30-36X	
26G	Rotor Lock Clip	2	0C1 052 C00	
26H	Washer, Rotor Retainer	2	0C1 052 A00	
27	Shim Kit	2	117891	
29	Spacer, Gear to Rear Brg. (Used w/ obsolete 060 035 000 Brg.)	2	060 055 000	
	Spacer, Gear to Rear Bearing (Used w/ new 107186 Brg.)	2	107187	
30	Bearing Spacer	2	060 055 003	
31	Retainer, Grease	2	STD 091 002	
32	Bearing Retainer, Front, Std.	2	060 080 000	
	Bearing Retainer, Front, SS	2	101812	

5050 - 5050DI - 5060 - 5060DI Common Parts Con't. and Diagram

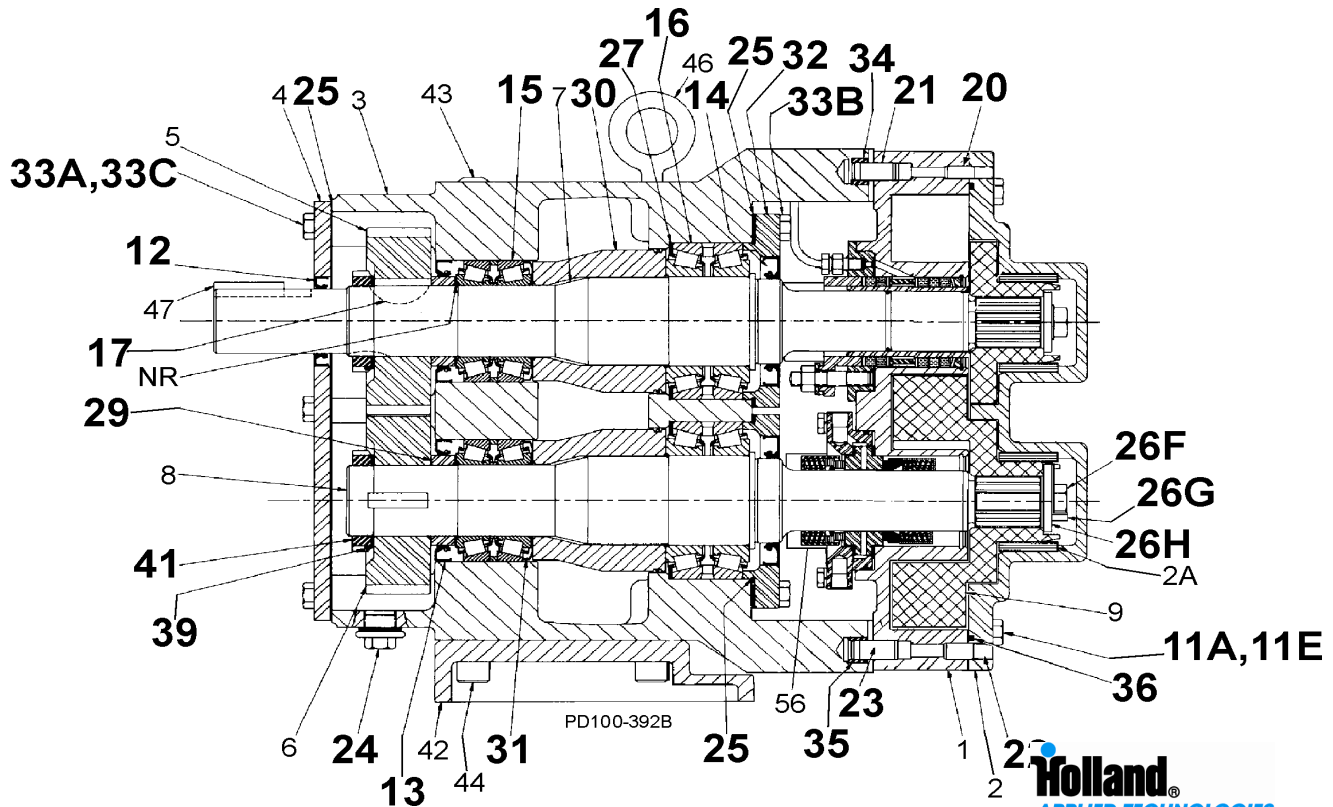
ITEM NO.	DESCRIPTION	QTY. PER PUMP	PART NO.	NOTES
33A	3/8-16 x .75" HHCS	6	30-314	
33B	3/8-16 x 1-1/4" HHCS, Bearing Retainer	8	30-351	
33C	3/8" Flat Washer	6	43-189	
34	Dowel Bushing, Upper	1	CD0 116 000	
35	Dowel Bushing, Lower	1	CD0 116 100	
* 36	O-Ring, Pump Cover, Buna N	1	N70272	
* 36	O-Ring, Pump Cover, EPDM	1	E70272	
* 36	O-Ring, Pump Cover, FKM	1	V70272	
* 36	O-Ring, Pump Cover, Teflon Encapsulated	1	T80272	
* 36	O-Ring, Pump Cover, Silicone	1	S75272	
39	Lock washer, Gear	2	STD 136 009	
41	Locknut, Gear	2	STD 236 009	
41A*	Gear Nut Driver	1	109283	
41B*	Gear End Shaft Thread Chaser	1	109289	

NOTES:

- 27. Recommended tool.
- 28. See Pump Notes PN 20-01.
- 40. Pumps shipped prior to 5/15/03
- 41. Pumps shipped after 5/15/03
- 42. Need both the oil plug **and** oil level indicator.

* - Not shown

* Recommended Spare Parts

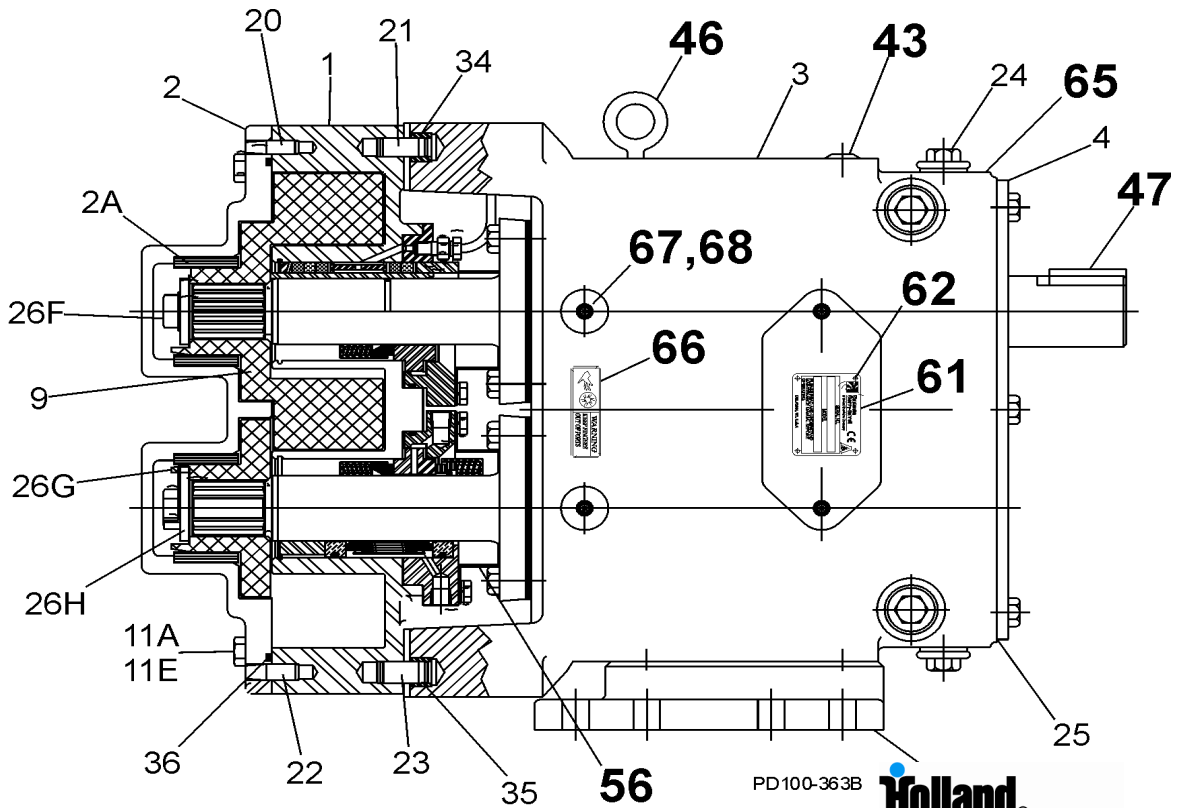
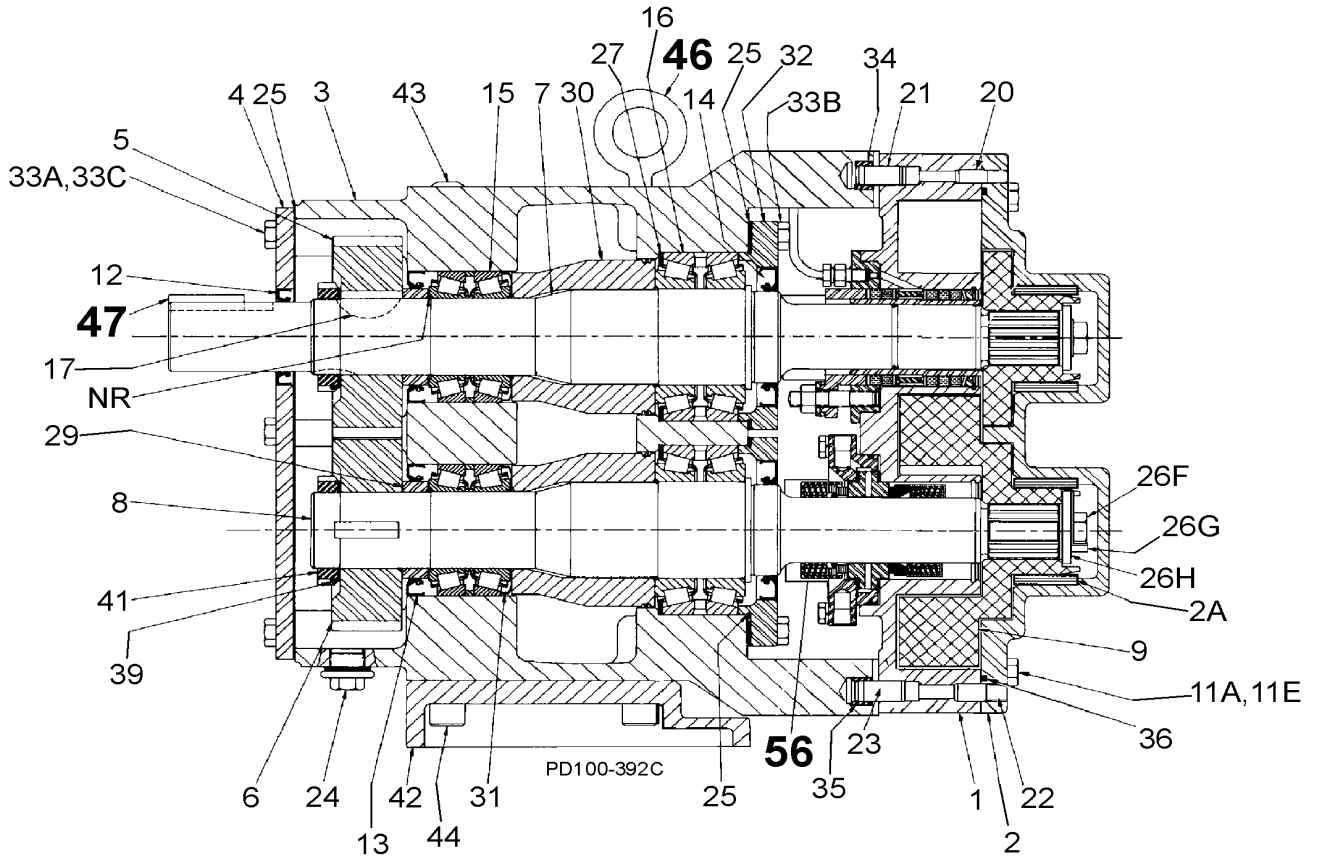


Holland
 APPLIED TECHNOLOGIES
 Indianapolis • Chicago • San Juan
 www.hollandapt.com

5050 - 5050DI - 5060 - 5060DI COMMON PARTS PRICE LIST

ITEM NO.	DESCRIPTION	QTY. PER PUMP	PART NO.	NOTES
42	Gear Case Foot, CI	1	40324	
43	Plastic Cap Plug	6	000 121 001	
44	1/2-13 x 1-1/4" SHCS	4	30-275	
45*	5050 Body Retaining Screw, 5/16-18 x 2" SHCS	2	30-318	
	5060 Body Retaining Screw, 5/16-18 x 3" SHCS	2	30-319	
46	Eye Bolt	2	30-360	
47	Key, Coupling - 3/8 x 3/8 x 1-5/8"	1	000 037 003	
48*	Cleanout Plug, Blue Screw In	2	41013	
56	Shaft Guard	2	111576	
61	Name Plate	1	001 061 015	
62	#2 x .125" RHDS	4	30-355	
65	Caution Plate	2	33-62	
66	Warning Label	2	33-63	
67	Grease Fitting, 1/8"	4	BD0 092 000	
68	Plastic Cap, Grease Fitting	4	BD0 093 000	

5050 - 5050DI - 5060 - 5060DI Common Parts Diagram



Holland
 APPLIED TECHNOLOGIES
 Indianapolis • Chicago • San Juan
 www.hollandapt.com

5050 - 5050DI - 5060 - 5060DI MECHANICAL SEAL PARTS PRICE LIST

ITEM NO.	DESCRIPTION	QTY. PER PUMP	PART NO.	NOTES
MECHANICAL SEAL PARTS				
SINGLE OUTSIDE SEAL				
* 70	Crane #8B2 Outside Seal, Carbon	2	0C1 114 008	
* 72	"T" Seat, Plain, Ceramic	2	055 014 012	
* 72	"T" Seat, Plain, Tungsten Carbide	2	055 014 013	
* 72	"T" Seat, Plain, Silicon Carbide	2	055 014 016	
* 72B, 72C	"T" Seat Gasket, Inner and Outer, PTFE	4	055 042 001	
73	Gland, Plain	2	0C1 034 001	
73B	HHCS, Gland Bolt, 1/4-20 x 1"	8	30-93	
73C	Lock washer, 1/4"	8	43-22	
SINGLE INSIDE SEAL				
* 71	Crane #9 Inside Seal , Carbon	2	0C1 114 000	
* 71	Crane #9 Inside Seal , Blister Resistent Carbon	2	N/A	
* 71	Crane #9 Inside Seal , Ceramic	2	36160	
* 71	Crane #9 Inside Seal , Silicon Carbide	2	34011	
* 71	Crane #9 Inside Seal , Tungsten Carbide	2	NA	
* 71	Crane #9 Inside Seal , Glass Filled Chemlon	2	33868	
* 71	Crane #9 Inside Seal , Carbon w/ 316 & Hast C	2	34591	
* 72	"T" Seat, Plain, Ceramic	2	055 014 012	
* 72	"T" Seat, Plain, Tungsten Carbide	2	055 014 013	
* 72	"T", Plain, Silicon Carbide	2	055 014 016	
* 72B, 72C	"T" Seat Gasket, Inner and Outer, PTFE	4	055 042 001	
73	Gland, Plain	2	0C1 034 001	
73B	HHCS, Gland Bolt, 1/4-20 x 1"	8	30-93	
73C	Lock washer, 1/4"	8	43-22	
DOUBLE INSIDE - OUTSIDE SEAL				
* 70	Crane #B2 Outside Seal, Carbon	2	0C1 114 008	
* 71	Crane #9 Inside Seal , Carbon	2	0C1 114 000	
* 71	Crane #9 Inside Seal , Blister Resistent Carbon	2	N/A	
* 71	Crane #9 Inside Seal , Ceramic	2	36160	
* 71	Crane #9 Inside Seal , Silicon Carbide	2	34011	
* 71	Crane #9 Inside Seal , Tungsten Carbide	2	NA	
* 71	Crane #9 Inside Seal , Glass Filled Chemlon	2	33868	
* 71	Crane #9 Inside Seal , Carbon w/ 316 & Hast C	2	34591	
* 72A	"T" Seat, Flushed, Ceramic	2	055 014 027	
* 72A	"T" Seat, Flushed, Tungsten Carbide	2	055 014 028	
* 72A	"T" Seat, Flushed, Silicon Carbide	2	055 014 031	
72B /72C	"T" Seal Gasket, Inner and Outer, PTFE	4	055 042 001	
73A	Gland, Flushed	2	0C1 034 003	
73B	HHCS, Gland Bolt, 1/4-20 x 1"	8	30-93	
73C	Lock washer, 1/4"	8	43-22	
* 73D	O-Ring, Gland, Buna N	2	N70152	25
* 73D	O-Ring, Gland, EPDM	2	E70152	
* 73D	O-Ring, Gland, FKM	2	V70152	

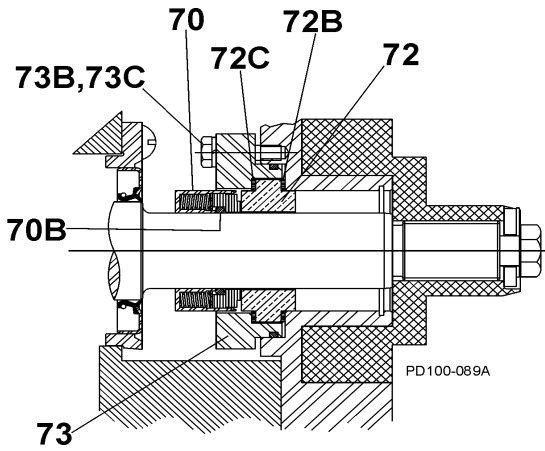
NOTES:

25. Sold in packages of 25 only.

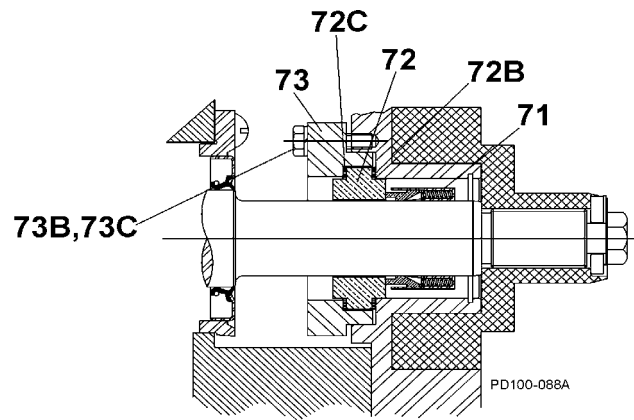
* Recommended Spare Parts



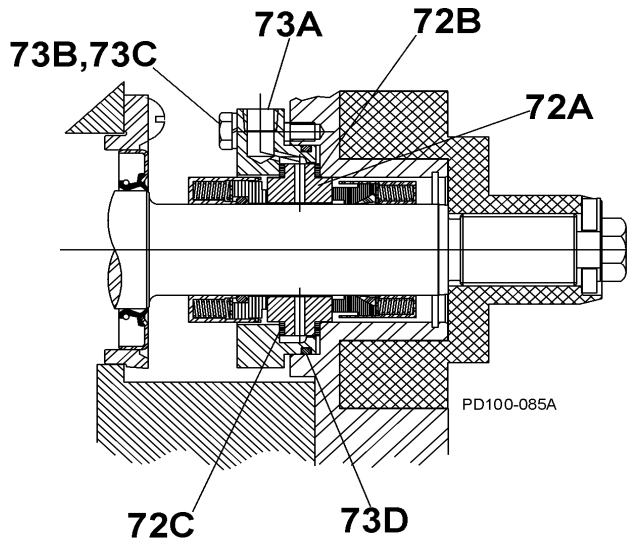
5050 - 5050DI - 5060 - 5060DI Mechanical Seal Parts Diagram



Single Outside Mechanical Seal



Single Inside Mechanical Seal



Double Inside Outside Mechanical Seal

5050 - 5050DI - 5060 - 5060DI PACKING & VENTED COVER PARTS PRICE LIST

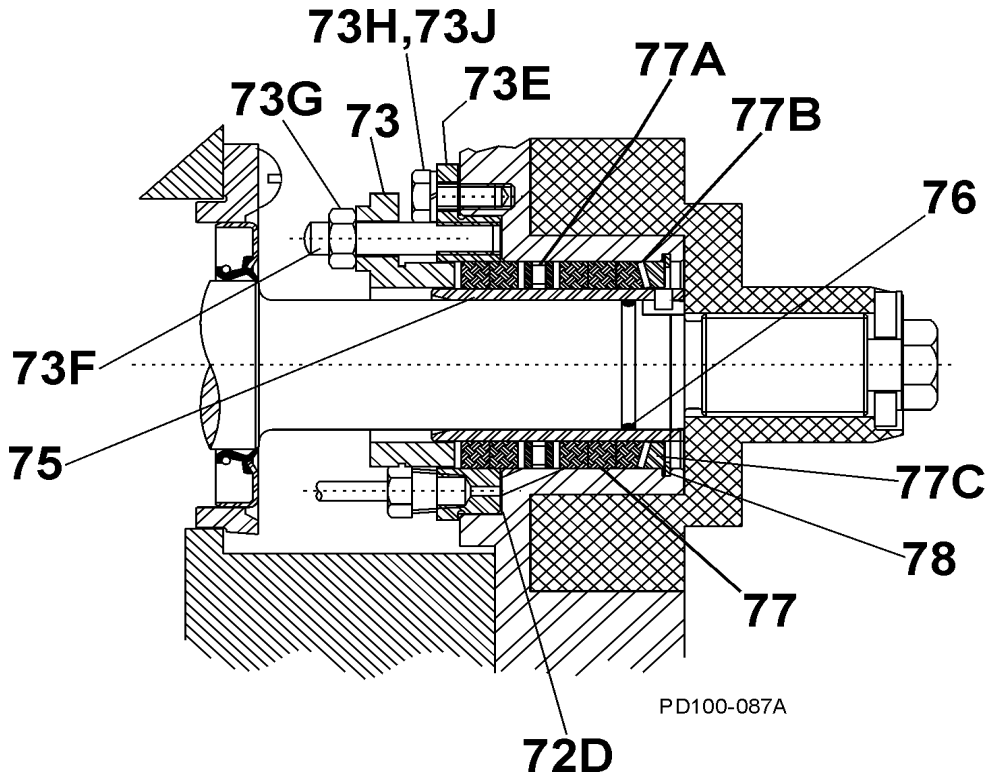
ITEM NO.	DESCRIPTION	QTY. PER PUMP	PART NO.	NOTES
72D	Gasket Insert	2	0C1 043 300	
73	Gland (Replaces 0C1 004 000)	2	112051	
73C	Washer, Gland	NA	0C1 049 000	
73E	Gland, Insert	2	0C1 050 200	
73F	Stud, Packing Gland, 3/8-16 x 1-7/8"	4	0C1 050 000	
73G	Hex Nut, 3/8-16	4	36-45	
73H	HHCS, 1/4-20 x 1/2"	8	30-62	
73J	Lock washer, 1/4"	8	43-22	
* 75	5050 Sleeve, SS	2	0C1 098 000	
* 75	5050 Sleeve, Ceramic Coated	2	0C1 098 001	
* 75	5060 Sleeve, SS	2	0E1 098 000	
* 75	5060 Sleeve, Ceramic Coated	2	0E1 098 001	
* 76	O-Ring, Shaft, Buna N	2	N70028	
* 76	O-Ring, Shaft, EPDM	2	E70028	
* 76	O-Ring, Shaft, FKM	2	V70028	
* 76	O-Ring, Shaft, Silicone	2	S75028	
* 76	O-Ring, Shaft, FFKM	2	K75028	
77	Packing	12 Rings	0C1 033 000	
77A	5050 Lantern Ring	2	0C1 047 000	
77A	5060 Lantern Ring	2	0E1 047 000	
77B	Packing Spacer	2	0C1 033 100	
77C	5050 Packing, Retaining Ring	2	0C1 051 000	
77C	5060 Packing, Retaining Ring	2	0C1 051 000	
78	Retainer	2	40068	
MANUAL VENTED COVER				
101	Relief Cover	1	050 002 001	
102	Adjusting Screw	1	000 060 001	
104	Adjusting Screw Jam Nut	1	36-99	
105	Relief Spring	1	000 076 002	
118	Adapter	1	050 071 000	
119	HHCS, 5/16-18 x 1"	4	30-349	
* 120	Piston O-Ring, Buna N	1	N70227	
* 120	Piston O-Ring, EPDM	1	E70227	
* 120	Piston O-Ring, FKM	1	V70227	
* 120	Piston O-Ring, FFKM	1	K75227	
121	Bushing, Upper	1	050 116 002	
122	Bushing, Lower	1	050 116 003	
* 123	Adapter O-Ring, Buna N	1	N70041	
* 123	Adapter O-ring, EPDM	1	E70041	
* 123	Adapter O-Ring, FKM	1	V70041	
* 123	Adapter O-ring, FFKM	1	K75041	
124	Spring, Retainer	1	050 176 000	
125	Piston	1	050 073 000	
SEAL FLUSH				
72E	Fittings	4	STD 299 003	
72F	Tubing, 6"	4	87-699	
72G	Pipe Plug, 1/8"	1	78-142	
72H	Fittings	4	STD 299 023	

NOTES:

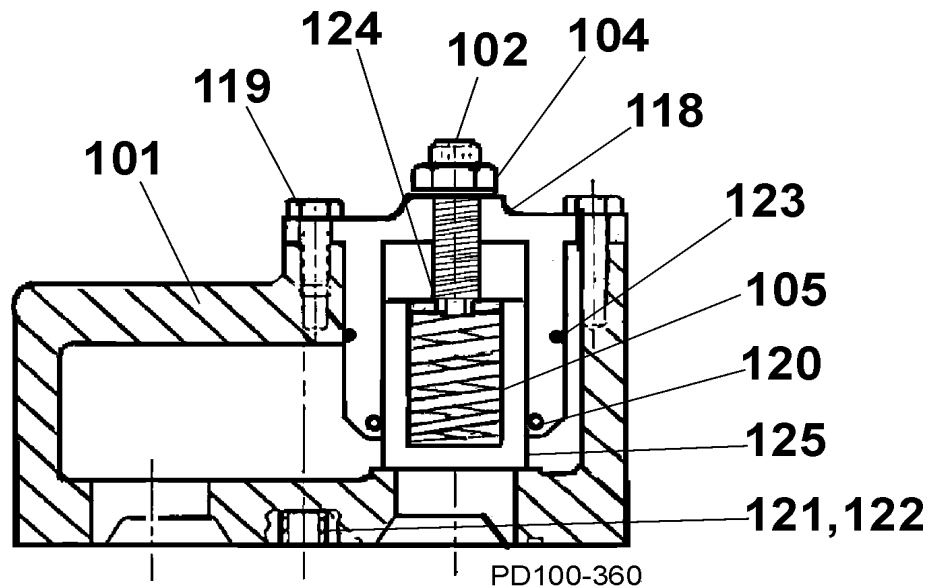
* Recommended Spare Parts



5050 - 5050DI - 5060 - 5060DI Packing and Vented Cover Parts Diagram



Packing Diagram



Vented Cover Diagram