

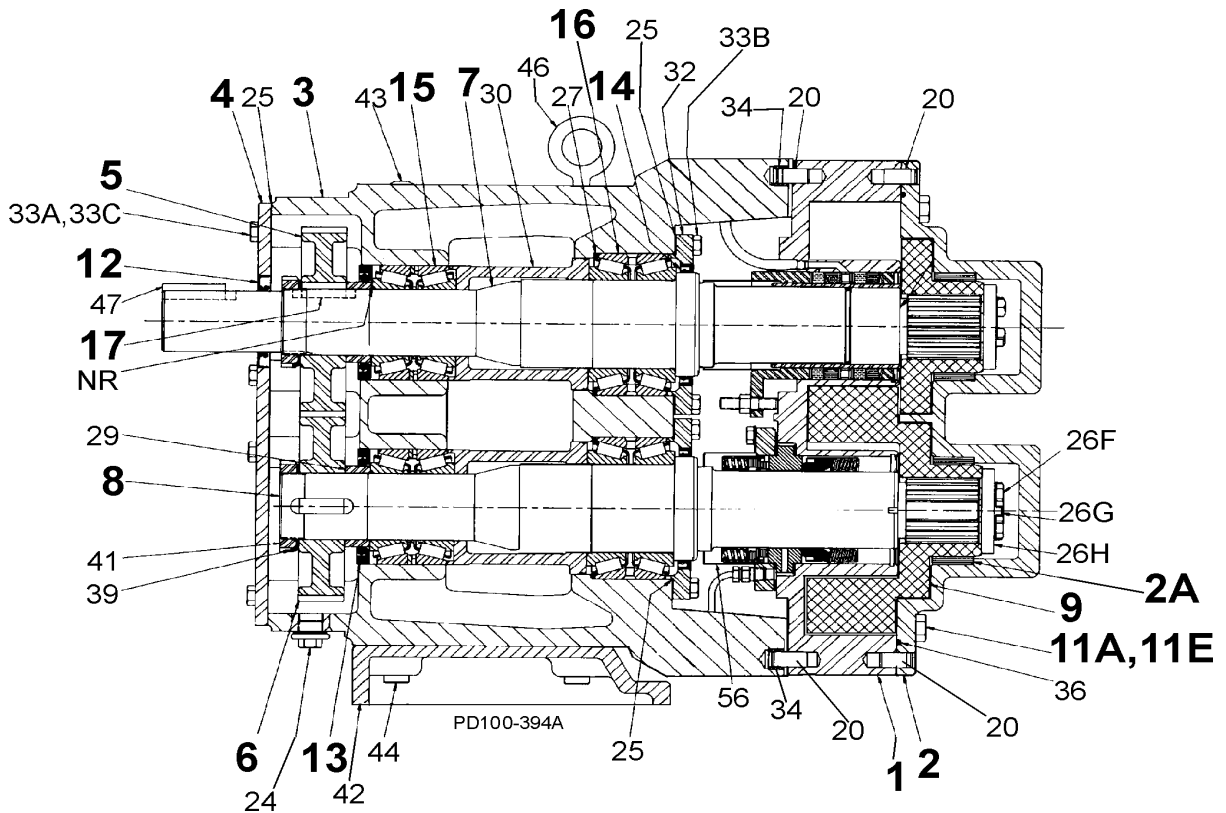
## 5070 -5070DI PUMP PARTS PRICE LIST

| ITEM NO. | DESCRIPTION                                       | QTY. PER PUMP | PART NO.    | NOTES |
|----------|---|---------------|-------------|-------|
| 1        | 5070 Pump Body, 4" 150# RF Flg. Mech. Seal        | 1             | 109280      | 1     |
|          | 5070 Pump Body, 4" 150# RF Flg., Packing          | 1             | 40316       | 1     |
|          | 5070-DI Pump Body, 4" 150# RF Flg. Mech. Seal     | 1             | 40975       | 1     |
|          | 5070-DI Pump Body, 4" 150# RF Flg., Packing       | 1             | 40974       | 1     |
| 2        | 5070 Pump Cover                                   | 1             | 200 002 000 |       |
|          | 5070-DI Pump Cover                                | 1             | 201 002 000 |       |
|          | <b>Pump Cover Vented - Complete Assembly</b>      |               |             |       |
|          | 5070 Manual                                       | 1             | 200 022 001 |       |
| 2A       | Cover Bushing, Carbon                             | 2             | 200 048 000 |       |
|          | Cover Bushing, Alloy 88                           | 2             | 200 048 W00 |       |
|          | Cover Bushing, Rulon                              | 2             | 35384       |       |
| 3        | Gear Case, CI                                     | 1             | 40454       |       |
| 4        | Gear Case Cover, Steel (Includes Oil Seal)        | 1             | 230 106 000 |       |
| 5        | Gear, Drive Shaft, Spur (Replaces 200 007 001)    | 1             | 110932      |       |
| 6        | Gear, Short Shaft, Spur (Replaces 200 007 002)    | 1             | 110932      |       |
| 7        | Drive Shaft, Std., Mechanical Seal                | 1             | 40810       |       |
|          | Drive Shaft, Opt.17-4PH, Mech. Seal               | 1             | 35351       |       |
|          | Drive Shaft, Packing                              | 1             | 40819       |       |
| 8        | Short Shaft, Std., Mechanical Seal                | 1             | 40811       |       |
|          | Short Shaft, Opt.17-4PH, Mech. Seal               | 1             | 35352       |       |
|          | Short Shaft, Packing                              | 1             | 40820       |       |
| 9        | 5070 Rotor, Twin Wing, Alloy 88                   | 2             | 200 010 000 | 2     |
|          | 5070 Rotor, Twin Wing, 316SS                      | 2             | 200 010 200 | 2     |
|          | 5070-DI, Twin Wing                                | 2             | 201 010 000 | 2     |
| 11A      | HHCS, Long, 1/2-13 x 4-1/2"                       | 4             | 30-324      |       |
| 11E      | HHCS, Short, 1/2-13 x 1-1/4"                      | 4             | 30-36X      |       |
| 12       | Oil Seal, Gear Case Cover                         | 1             | STD 030 006 |       |
| 13       | Oil Seal, Gear Case Rear                          | 2             | STD 119 002 |       |
| 14       | Grease Seal, Bearing Retainer                     | 2             | STD 030 002 |       |
|          | Bearing Isolator, includes Std. Bearing Retainer* | 2             | X06634-1    | 28    |
|          | Bearing Isolator, includes SS Bearing Retainer*   | 2             | X06634-2    | 28    |
| 15       | Tapered Roller Bearing, Rear                      | 2             | 200 035 000 |       |
| 16       | Tapered Roller Bearing, Front                     | 2             | 200 036 000 |       |
| 17       | Key, Gear   | 2             | 200 037 000 |       |

**NOTES:**

1. Contact Factory with Serial Number of pump for Part Number.
2. Standard clearances and finishes for Rotor Part Numbers shown. Contact Factory for optional clearances and finishes.
28. See Pump Notes PN20-01.

# 5070 - 5070DI Pump Parts Diagram



## 5070 - 5070DI PUMP PARTS PRICE LIST

| ITEM NO.              | DESCRIPTION   | QTY. PER PUMP | PART NO.    | NOTES  |
|-----------------------|---|---------------|-------------|--------|
| 20                    | Dowel Pin, Upper Cover Side                             | 4             | CD0 040 R10 |        |
| 24                    | Plug w/ washer, 1/2-20                                  | 6             | 000 046 004 | 40     |
|                       | Oil Plug, M20 x 1.5"                                    | 5             | 115798      | 41, 42 |
|                       | Oil Level Indicator, M20 x 1.5"                         | 1             | 115799      | 41, 42 |
| 25                    | Silicone Sealant (Replaces Std Gaskets & N70047 O-Ring) | 1             | 000 142 301 |        |
| 26F                   | Rotor Retaining HHCS, 3/8-16 x 1.5"                     | 6             | 30-55X      |        |
| 26G                   | Rotor Lock Clip   | 2             | 200 053 000 |        |
| 26H                   | Washer, Rotor Retainer                                  | 2             | 200 052 000 |        |
| 27                    | Shim Kit  | 2             | 117892      |        |
| 29                    | Spacer, Gear to Rear Bearing                            | 2             | 40878       |        |
| 30                    | Bearing Spacer  | 2             | 40752       |        |
| 32                    | Bearing Retainer, Front, Std.                           | 2             | 220 080 000 |        |
|                       | Bearing Retainer, Front, SS                             | 2             | 101813      |        |
| 33A                   | 3/8-16 x 1-1/4" HHCS                                    | 8             | 30-351      |        |
| 33B                   | 3/8-16 x 1-1/4" SHCS, Bearing Retainer                  | 8             | 30-351      |        |
| 33C                   | 3/8" Flat Washer  | 8             | 43-189      |        |
| 34                    | Dowel Bushing   | 2             | CD0 116 100 |        |
| *<br>*<br>*<br>*<br>* | <b>O-Ring, Pump Cover, Buna N</b>                       | 1             | GD0 117 000 |        |
|                       | <b>O-Ring, Pump Cover, EPDM</b>                         | 1             | GD0 117 002 |        |
|                       | <b>O-Ring, Pump Cover, FKM</b>                          | 1             | GD0 117 V00 |        |
|                       | <b>O-Ring, Pump Cover, Teflon Encapsulated</b>          | 1             | GD0 117 T00 |        |
|                       | <b>O-Ring, Pump Cover, Silicone</b>                     | 1             | GD0 117 SC0 |        |
| 39                    | Lock washer, Gear                                       | 2             | STD 136 011 |        |
| 41                    | Locknut, Gear   | 2             | STD 236 011 |        |
| 42                    | Gear Case Shim, CI                                      | 1             | 40817       |        |
| 43                    | Plastic Cap Plug  | 6             | 000 121 001 |        |
| 44                    | 1/2-13 x 1.5" SHCS, Gear Case Shim                      | 4             | 30-315      |        |
| 45*                   | Body Retaining Screw, 3/8-16 x 3-1/2"                   | 2             | 30-326      |        |
| 46                    | Eye Bolt  | 2             | 30-360      |        |
| 47                    | Key, Coupling - 1/2 x 1/2 x 1-7/8"                      | 1             | 000 037 004 |        |
| 48*                   | Cleanout Plug   | 2             | 41013       |        |
| 56                    | Shaft Guard (Mechanical Seal only)                      | 2             | 111577      |        |
| 61                    | Name Plate  | 1             | 001 061 015 |        |
| 62                    | #2 x .125" RHDS   | 4             | 30-355      |        |
| 65                    | Caution Plate   | 2             | 33-62       |        |
| 66                    | Warning Label   | 2             | 33-63       |        |
| 67                    | Grease Fitting, 1/8"                                    | 4             | BD0 092 000 |        |
| 68                    | Plastic Cap, Grease Fitting                             | 4             | BD0 093 000 |        |

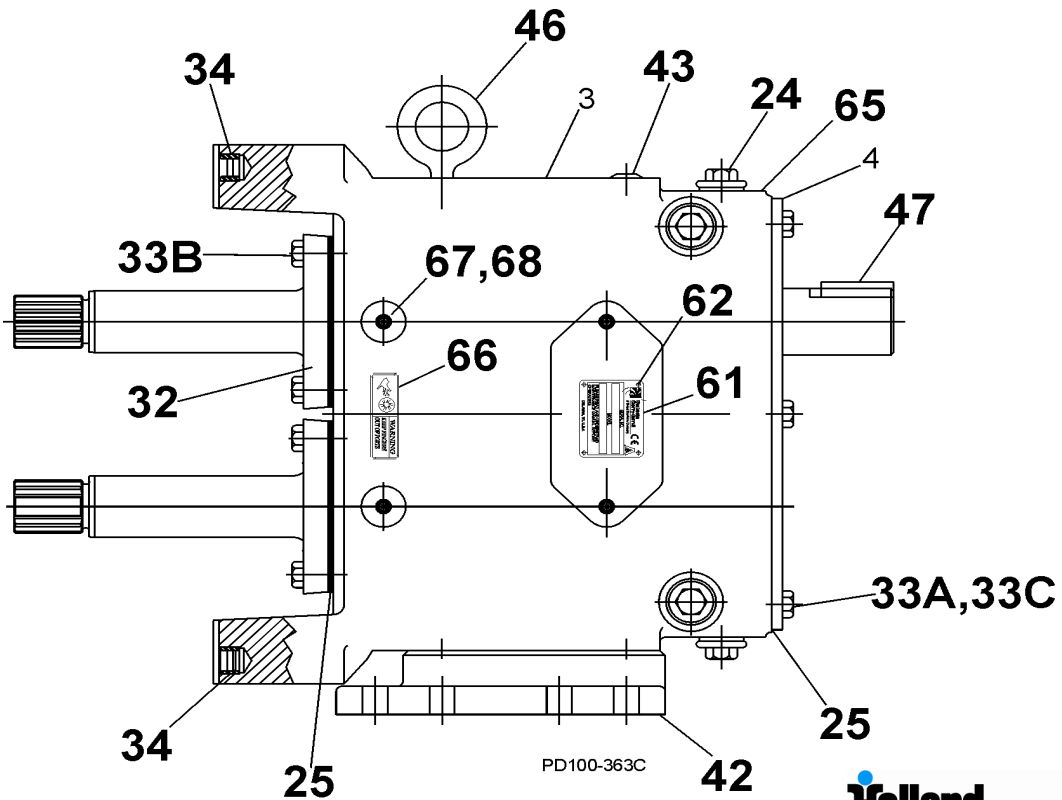
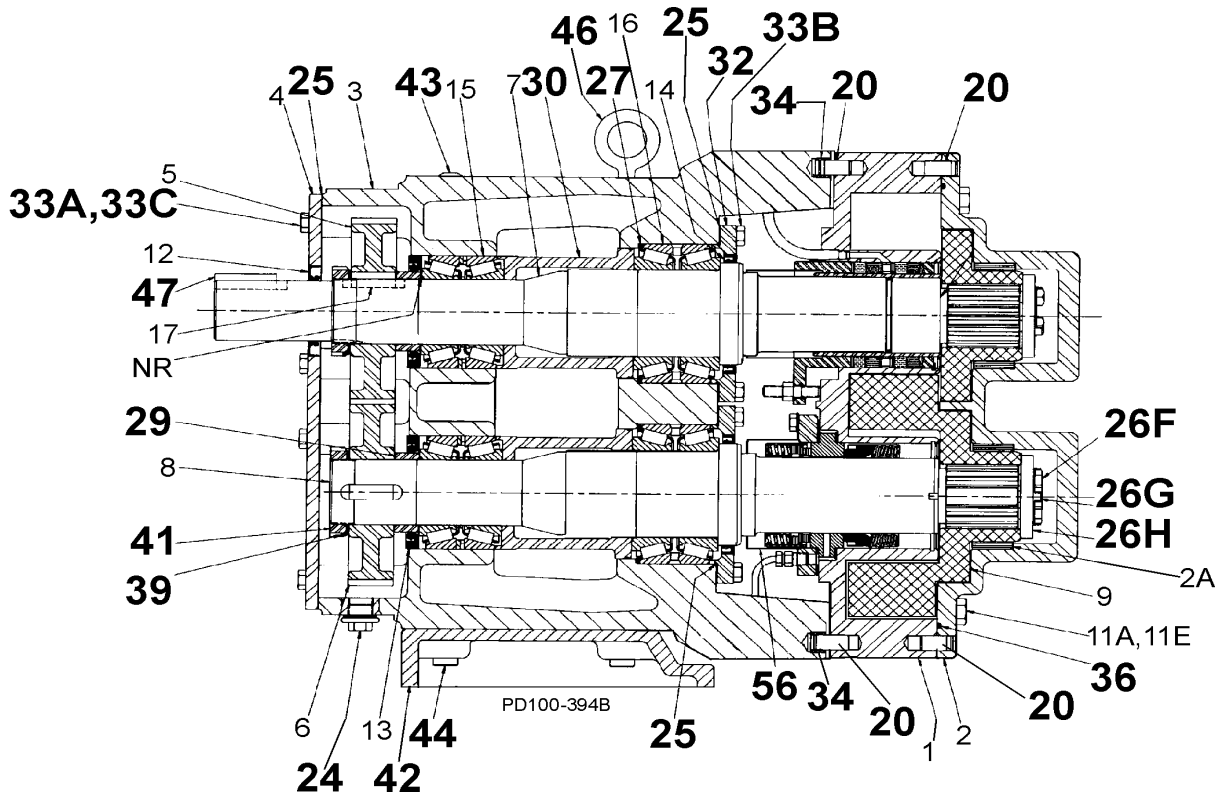
**NOTES:**

- 40. Pumps shipped prior to 5/15/03
- 41. Pumps shipped after 5/15/03
- 42. Need both the oil plug **and** oil level indicator.

**\* Recommended Spare Parts**



# 5070 - 5070DI Pump Parts Diagram



\* Note: 7 shown is packing shaft.  
8 shown is mechanical seal shaft.

**Holland**  
APPLIED TECHNOLOGIES  
Indianapolis • Chicago • San Juan  
www.hollandapt.com

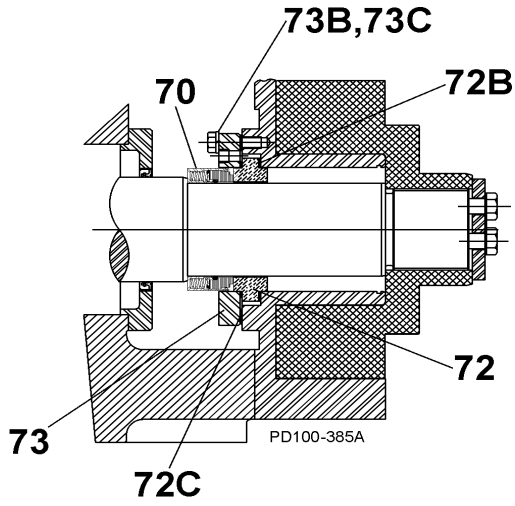
**5070 - 5070DI MECHANICAL SEAL PARTS PRICE LIST**

| ITEM NO.                            | DESCRIPTION                             | QTY. PER PUMP | PART NO.    | NOTES |
|-------------------------------------|---|---------------|-------------|-------|
| <b>MECHANICAL SEAL PARTS</b>        |   |               |             |       |
| <b>SINGLE OUTSIDE SEAL</b>          |   |               |             |       |
| * 70                                | Crane #8B2 Outside Seal, Carbon         | 2             | 200 114 002 |       |
| * 72                                | "T" Seat, Plain, Ceramic                | 2             | 200 014 012 |       |
| * 72                                | "T" Seat, Plain, Tungsten Carbide       | 2             | 200 014 013 |       |
| * 72                                | "T" Seat, Plain, Silicon Carbide        | 2             | 200 014 016 |       |
| * 72B, 72C                          | "T" Seat Gasket, Inner and Outer, PTFE  | 4             | 200 042 001 |       |
| 73                                  | Gland, Plain                            | 2             | 200 034 000 |       |
| 73B                                 | HHCS, Gland Bolt, 5/16-18 x 1"          | 8             | 30-34       |       |
| 73C                                 | Lock washer, 5/16"                      | 8             | 43-15       |       |
| <b>SINGLE INSIDE SEAL</b>           |   |               |             |       |
| * 71                                | Crane #9 Inside Seal , Carbon           | 2             | 200 114 000 |       |
| * 71                                | Crane #9 Inside Seal , Silicon Carbide  | 2             | 35635       |       |
| * 71                                | Crane #9 Inside Seal , Tungsten Carbide | 2             | 35636       |       |
| * 72                                | "T" Seat, Plain, Ceramic                | 2             | 200 014 012 |       |
| * 72                                | "T" Seat, Plain, Tungsten Carbide       | 2             | 200 014 013 |       |
| * 72                                | "T" Seat, Plain, Silicon Carbide        | 2             | 200 014 016 |       |
| * 72B, 72C                          | "T" Seat Gasket, Inner and Outer, PTFE  | 4             | 200 042 001 |       |
| 73                                  | Gland, Plain                            | 2             | 200 034 000 |       |
| 73B                                 | HHCS, Gland Bolt, 5/16-18 x 1"          | 8             | 30-34       |       |
| 73C                                 | Lock washer, 5/16"                      | 8             | 43-15       |       |
| <b>DOUBLE INSIDE - OUTSIDE SEAL</b> |   |               |             |       |
| * 70                                | Crane #8B2 Outside Seal, Carbon         | 2             | 200 114 002 |       |
| * 71                                | Crane #9 Inside Seal , Carbon           | 2             | 200 114 000 |       |
| * 71                                | Crane #9 Inside Seal , Silicon Carbide  | 2             | 35635       |       |
| * 71                                | Crane #9 Inside Seal , Tungsten Carbide | 2             | 35636       |       |
| * 72A                               | "T" Seat, Flushed, Ceramic              | 2             | 200 014 027 |       |
| * 72A                               | "T" Seat, Flushed, Tungsten Carbide     | 2             | 200 014 028 |       |
| * 72A                               | "T" Seat, Flushed, Silicon Carbide      | 2             | 200 014 031 |       |
| * 72B                               | "T" Seat Gasket, Inner, FKM             | 2             | 200 042 001 |       |
| * 72B                               | "T" Seat Gasket, Inner, EPDM            | 2             | 200 042 003 |       |
| * 72C                               | "T" Seat Gasket, Outer, PTFE            | 2             | 200 042 002 |       |
| 73A                                 | Gland, Flushed                          | 2             | 200 034 001 |       |
| 73B                                 | HHCS, Gland Bolt, 5/16-18 x 1"          | 8             | 30-34       |       |
| 73C                                 | Lock washer, 5/16"                      | 8             | 43-15       |       |

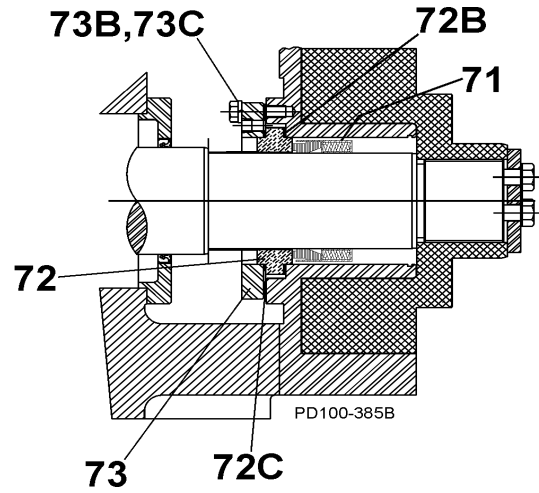
**NOTES:**

\* Recommended Spare Parts

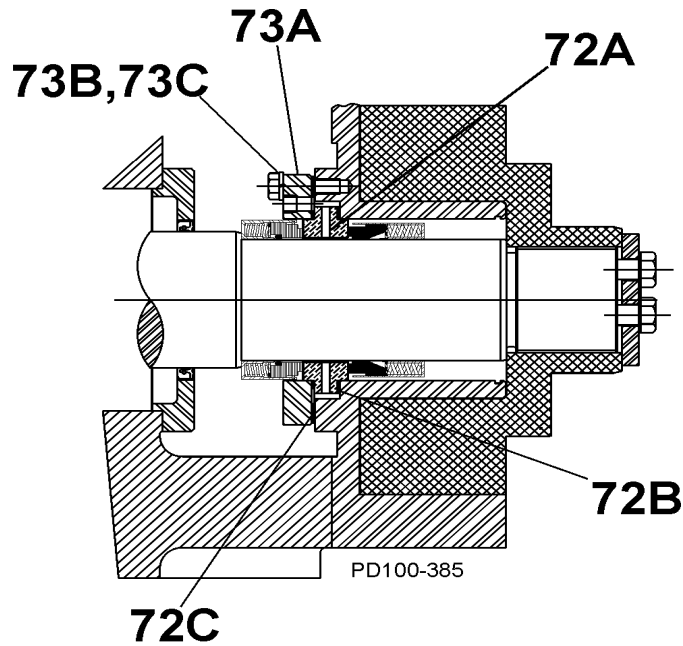
5070 - 5070DI Mechanical Seal Parts Diagram



Single Outside Mechanical Seal



Single Inside Mechanical Seal



Double Inside Mechanical Outside Seal

**5070 - 5070DI PACKING AND VENTED COVER PARTS PRICE LIST**

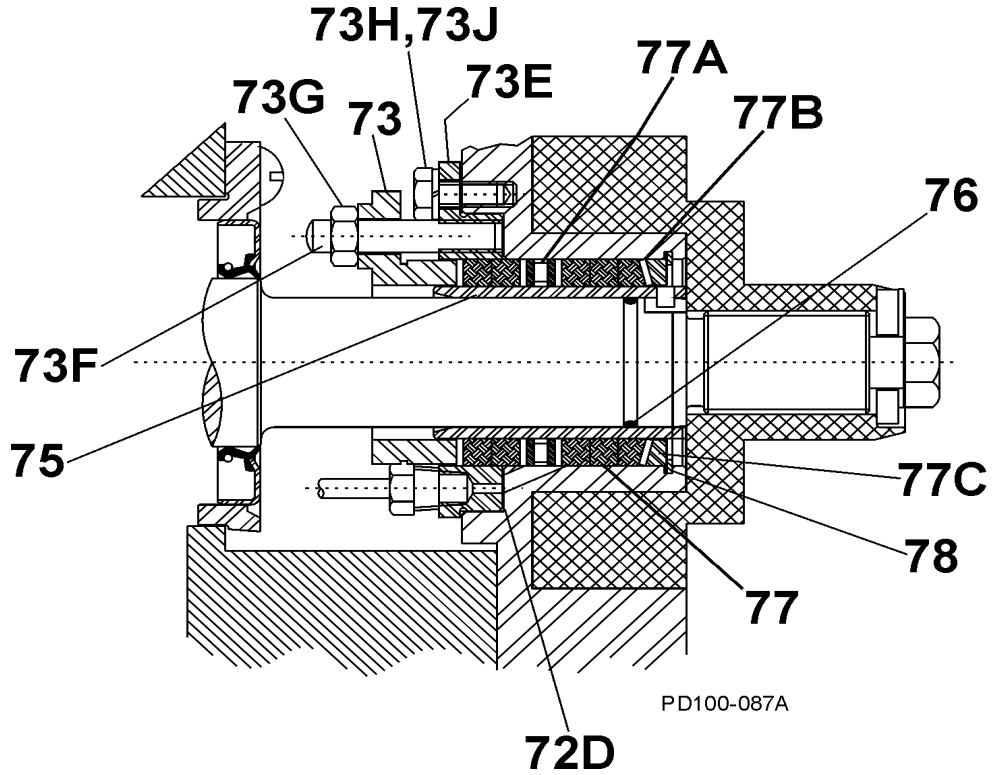
| ITEM NO.                   | DESCRIPTION                      | QTY. PER PUMP | PART NO.    | NOTES |
|----------------------------|----------------------------------|---------------|-------------|-------|
| 72D                        | Gasket Insert                    | 2             | NA          |       |
| 73                         | Gland (Replaces 200 004 000)     | 2             | 112052      |       |
| 73C                        | Washer, Gland                    | 2             | NA          |       |
| 73E                        | Gland, Insert                    | 2             | NA          |       |
| 73F                        | Stud, Packing Gland              | 4             | 200 050 000 |       |
| 73G                        | Hex Nut                          | 4             | 36-41       |       |
| 73H                        | HHCS, 1/4-20 x 1/2"              | 8             | NA          |       |
| 73J                        | Lock washer, 1/4"                | 8             | NA          |       |
| * 75                       | Sleeve, SS                       | 2             | 200 098 000 |       |
| * 75                       | Sleeve, Ceramic Coated           | 2             | 200 098 003 |       |
| * 76                       | O-Ring, Shaft, Buna N            | 2             | N70140      |       |
| * 76                       | O-Ring, Shaft, EPDM              | 2             | E70140      |       |
| * 76                       | O-Ring, Shaft, FKM               | 2             | V70140      |       |
| * 77                       | Packing                          | 8 Rings       | 200 033 000 |       |
| 77A                        | Lantern Ring                     | 2             | 200 047 000 |       |
| 77B                        | Packing Spacer                   | 2             | 200 032 000 |       |
| 77C                        | Packing, Retaining Ring          | 2             | 200 051 000 |       |
| 78                         | Retainer                         | 2             | 40069       |       |
| <b>MANUAL VENTED COVER</b> |                                  |               |             |       |
| 101                        | Relief Cover                     | 1             | 200 002 001 |       |
| 102                        | Adjusting Screw, 3/4-10 x 2-1/2" | 1             | 000 060 001 |       |
| 104                        | Adjusting Screw Jam Nut          | 1             | 36-99       |       |
| 105                        | Relief Spring                    | 1             | 000 076 005 |       |
| 118                        | Adapter                          | 1             | 200 071 000 |       |
| 119                        | HHCS, 5/16-18 x 1"               | 6             | 30-349      |       |
| * 120                      | Piston O-Ring, Buna N            | 1             | N70232      |       |
| * 120                      | Piston O-Ring, EPDM              | 1             | E70232      |       |
| * 120                      | Piston O-Ring, FKM               | 1             | V70232      |       |
| * 120                      | Piston O-Ring, FFKM              | 1             | K75232      |       |
| * 123                      | Adapter O-Ring, Buna N           | 1             | N70045      |       |
| * 123                      | Adapter O-ring, EPDM             | 1             | E70045      |       |
| * 123                      | Adapter O-Ring, FKM              | 1             | V70045      |       |
| * 123                      | Adapter O-ring, FFKM             | 1             | K75045      |       |
| 124                        | Spring, Retainer                 | 1             | 200 176 000 |       |
| 125                        | Piston                           | 1             | 200 073 000 |       |
| <b>SEAL FLUSH</b>          |                                  |               |             |       |
| 72E                        | Fittings                         | 4             | 000 299 032 | 43    |
| 72F                        | Tubing, 4"                       | 4             | 200 317 000 | 43    |

**NOTES:**

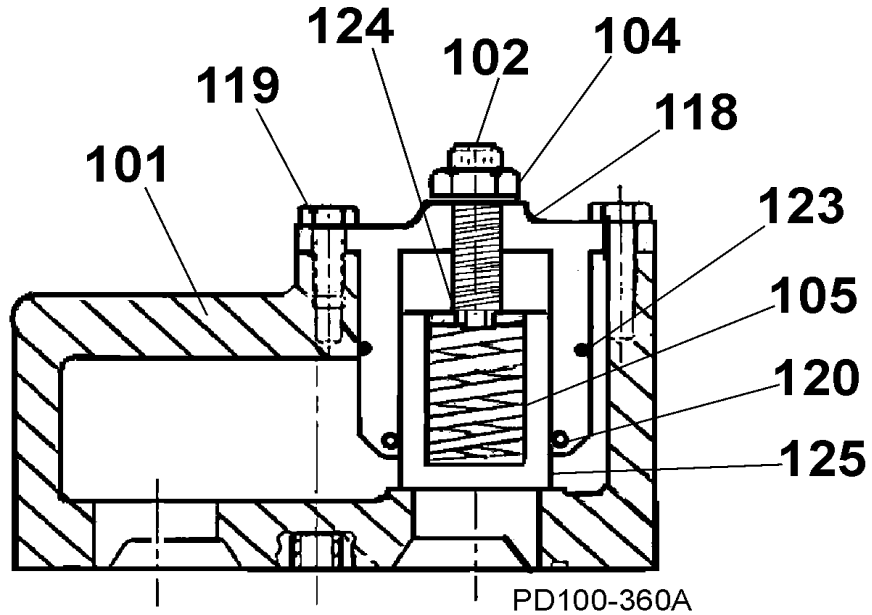
43. Seals with flush ONLY.

\* **Recommended Spare Parts**

5070 - 5070DI Packing and Vented Cover Parts Diagram



Packing Diagram



Vented Cover Diagram