

5080 PUMP PARTS PRICE LIST

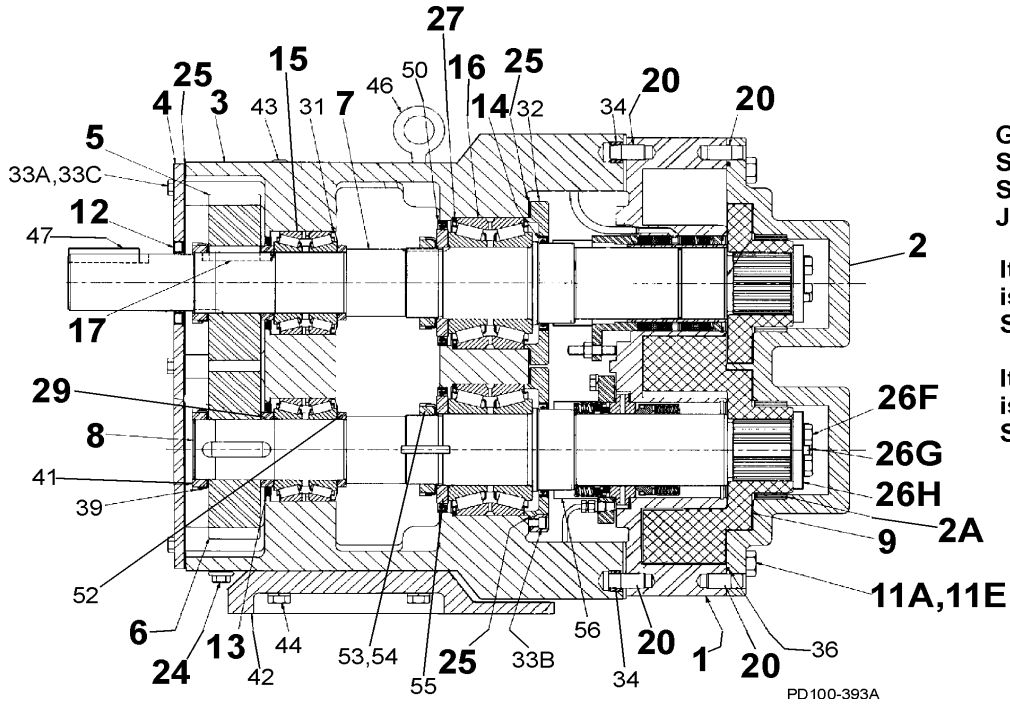
ITEM NO.	DESCRIPTION	QTY. PER PUMP	PART NO.	NOTES
1	5080 Pump Body, 6" 150# Flg. , Mech. Seal	1	40803	1
	5080 Pump Body, 6" 150# Flg. , Packing	1	40804	1
2	5080 Pump Cover	1	0H1 002 000	
	Pump Cover Vented - Complete Assembly			
	5080 Manual	1	300 022 001	
2A	Cover Bushing, Carbon	2	0H1 048 000	
	Cover Bushing, Alloy 88	2	0H1 048 W00	
	Cover Bushing, Rulon	2	33791	
3	Gear Case, CI	1	40616	
4	Gear Case Cover, Steel	1	40669	
5	Gear, Drive Shaft, Spur (Replaces 0H1 007 001)	1	102470	
6	Gear, Short Shaft, Spur (Replaces 0H1 007 002)	1	102470	
7	Drive Shaft, Std., Mechanical Seal	1	See page 29	
8	Short Shaft, Std., Mechanical Seal	1	See page 29	
9	5080 Rotor, Twin Wing, Alloy 88 (Replaces 0H1 010 200)	2	320 010 000	2
	5080 Rotor, Twin Wing, 316SS	2	320 010 200	2
11A	HHCS, Long, 5/8-11 x 5-1/2"	4	30-117	
11E	HHCS, Short, 5/8 -11 x 1-1/2"	4	30-105	
12	Oil Seal, Gear Case Cover	1	STD 030 004	
13	Oil Seal, Gear Case Rear	2	STD 119 000	3
	Oil Seal, Gear Case Rear	2	102475	4
14	Grease Seal, Bearing Retainer	2	STD 030 002	
	Bearing Isolator, includes Bearing Retainer*	2	X06634-3	28
15	Taper Roller Bearing, Rear	2	0H1 036 000	
16	Taper Roller Bearing, Front	2	0H1 036 003	
17	Key, Gear	2	0H1 037 000	
20	Dowel Pin	4	0H1 040 000	
24	Plug w/ washer, 1/2-20	6	000 046 004	40
	Oil Plug, M20 x 1.5"	5	115798	41, 42
	Oil Level Indicator, M20 x 1.5"	1	115799	41, 42
25	Silicone Sealant (Replaces Std gaskets & O-Ring N70050)	1	000 142 301	
26F	Rotor Retaining HHCS, 1/2-13 x 1-3/4"	6	30-127X	
26G	Rotor Lock Clip	2	0H1 053 000	
26H	Washer, Rotor Retainer	2	0H1 052 000	
27	Shim Kit	2	117893	
29	Spacer, Gear to Rear Bearing	2	117691	3
	Spacer, Gear to Rear Bearing	2	102474	4
30	Bearing Spacer	2	102473	4
30A	Spacer, Front Bearing	2	102472	4

NOTES:

1. Contact Factory with Serial Number of pump for Part Number.
2. Standard clearances and finishes for Rotor Part Numbers shown. Contact Factory for optional clearances and finishes.
3. Pumps shipped prior to July 30, 2001.
4. Pumps shipped starting July 30, 2001.
5. No longer manufactured, consult factory for upgrade of gear case subassembly.
28. See Pump Notes 20-01.
40. Pumps shipped prior to 5/15/03
41. Pumps shipped after 5/15/03
42. Need both the oil plug **and** oil level indicator.

*** Recommended Spare Parts**

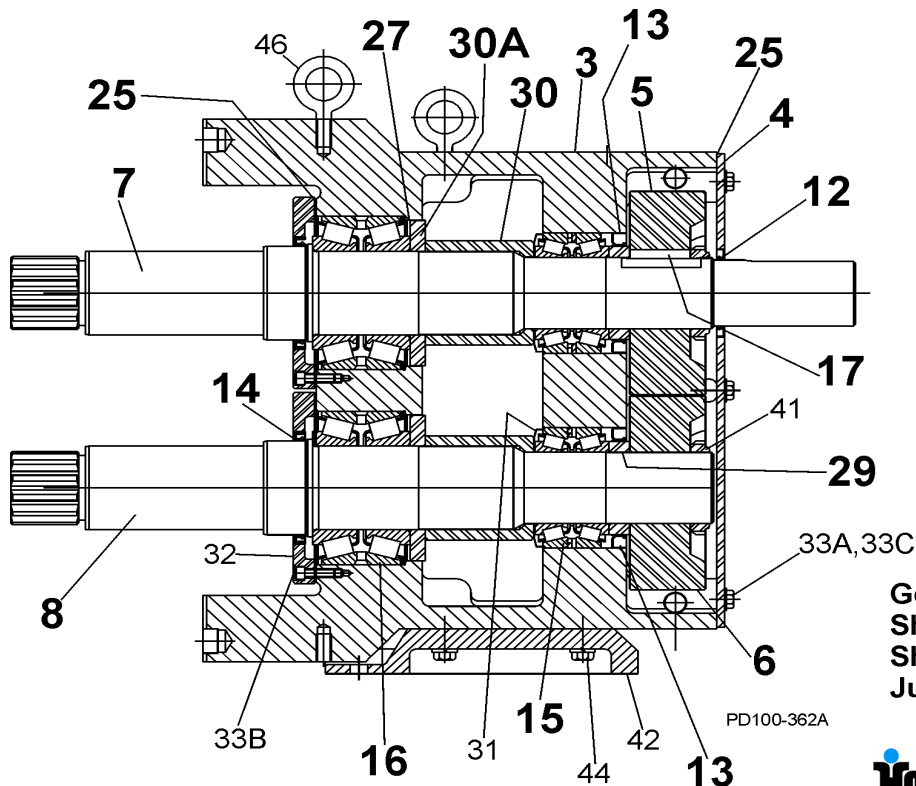
5080 Pump Parts Diagram



Gear Case and Shaft For Pumps Shipped Prior to July 30, 2001.

Item 7 Shown is Packing Shaft.

Item 8 Shown is Mechanical Seal Shaft.



Gear Case and Shaft For Pumps Shipped Starting July 30, 2001.

Holland
 APPLIED TECHNOLOGIES
 Indianapolis • Chicago • San Juan
 www.hollandapt.com

5080 PUMP SHAFT PRICE LIST

ITEM NO.	DESCRIPTION	QTY. PER PUMP	PART NO.	NOTES
7	Drive Shaft, Std., Mechanical Seal	1	0H1 008 000	3, 5B, 5C
	Kit - Drive Shaft, Std., Mechanical Seal	1	113615	5C
	Drive Shaft, Std., Mechanical Seal	1	113514	4
	Drive Shaft, Opt.17-4PH, Mech. Seal	1	33394	3, 5B, 5C
	Kit - Drive Shaft, Opt. 17-4PH, Mechanical Seal	1	113617	5C
	Drive Shaft, Opt.17-4PH, Mech. Seal	1	113516	4
	Drive Shaft, Std., Packing	1	0H1 008 006	3, 5B, 5C
	Kit - Drive Shaft, Std., Packing	1	113619	5C
	Drive Shaft, Std., Packing	1	113510	4
	Drive Shaft, Opt. 17-4PH, Packing	1	NA	
	Kit - Drive Shaft, Opt. 17-4PH, Packing	1	113621	5C
	Drive Shaft, Opt. 17-4PH, Packing	1	113512	4
8	Short Shaft, Std., Mechanical Seal	1	0H1 009 000	3, 5B, 5C
	Kit - Short Shaft, Std., Mechanical Seal	1	113616	5C
	Short Shaft, Std., Mechanical Seal	1	113515	4
	Short Shaft, Opt.17-4PH, Mech. Seal	1	33395	3, 5B, 5C
	Kit - Short Shaft, Opt.17-4PH, Mech. Seal	1	113618	5C
	Short Shaft, Opt.17-4PH, Mech. Seal	1	113517	4
	Short Shaft, Std., Packing	1	0H1 009 006	3, 5B, 5C
	Kit - Short Shaft, Std., Packing	1	113620	5C
	Short Shaft, Std., Packing	1	113511	4
	Short Shaft, Opt. 17-4PH, Packing	1	NA	
	Kit - Short Shaft, Opt. 17-4PH, Packing	1	113622	5C
	Short Shaft, Opt. 17-4PH, Packing	1	113513	4

NOTES:

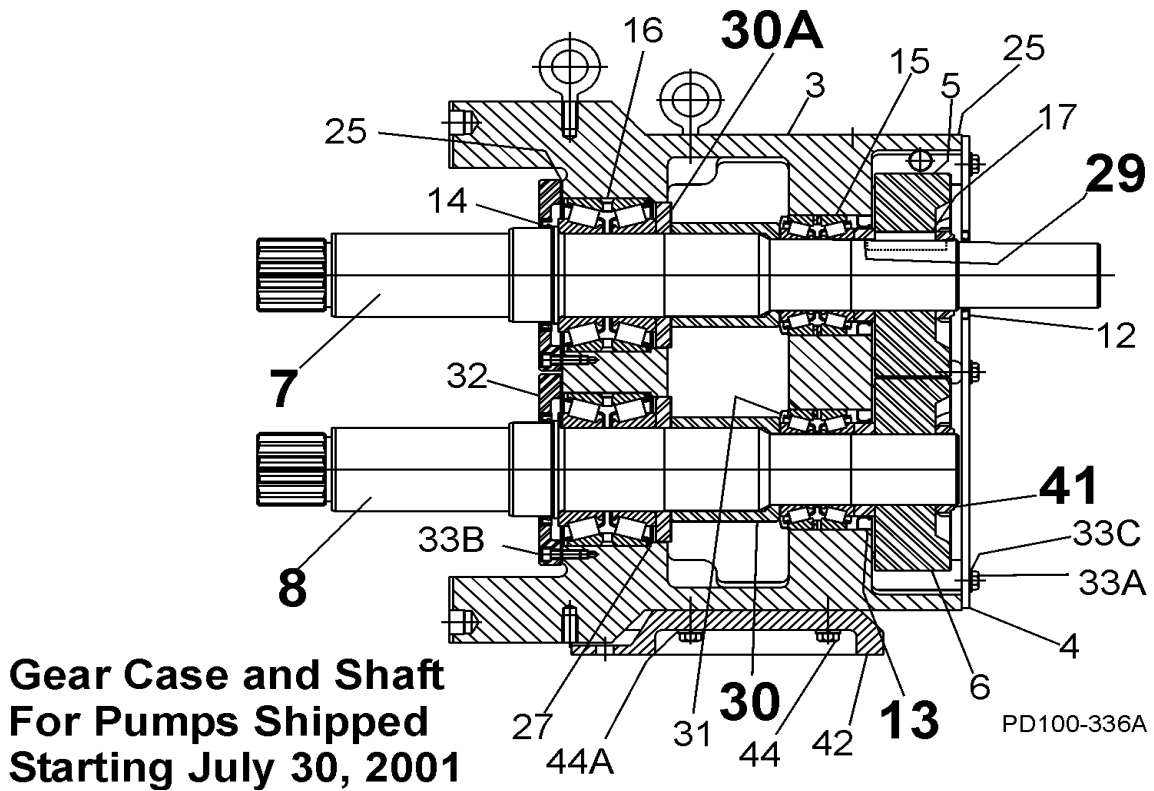
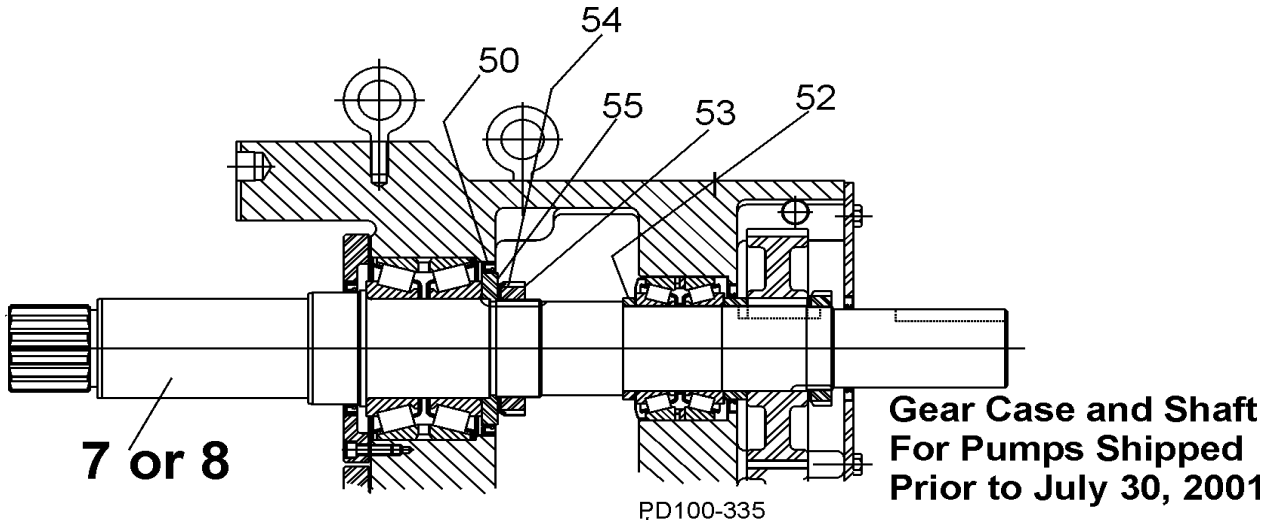
- 3. Pumps shipped prior to July 30, 2001.
- 4. Pumps shipped starting July 30, 2001.
- 5. No longer manufactured, consult factory for upgrade of gear case subassembly.
- 5B. No longer manufactured, see Shaft Kits 113615 thru 113622.
- 5C. Kits replace obsolete shafts 0H1 008 000, 0H1 008 006, 0H1 009 000, 0H1 009 006, 33394, and 33395.

Kits 113615, 113616, 113617, 113618, 113619, 113620, 113621, and 113622 Include:

Item No.	Description	Item No.	Description
7	Drive Shaft P/N 113510 or 113512, 113514, 113516	30	Spacer Front Bearing P/N 102473
or 8	Short Shaft P/N 113511 or 113513, 113515, 113517.	30A	Bearing Spacer P/N 102472
13	Oil Seal, Case Rear P/N STD 119 000	41	Locknut, Gear P/N 105697
29	Spacer, Gear P/N 117691		



5080 Shafts Diagram



5080 PUMP PARTS PRICE LIST

ITEM NO.	DESCRIPTION	QTY. PER PUMP	PART NO.	NOTES
31	Retainer, Grease	2	STD 091 000	
32	Bearing Retainer, Front	2	0H1 080 000	
33A	3/8-16 x .75" HHCS	6	30-314	
33B	5/16-18 x 1" SHCS, Bearing Retainer	8	30-343	
33C	5/16" Flat Washer	6	43-189	
34	Dowel Bushing	2	0H1 116 000	
* * * * *	O-Ring, Pump Cover, Buna N	1	N70280	
	O-Ring, Pump Cover, EPDM	1	E70280	
	O-Ring, Pump Cover, FKM	1	V70280	
	O-Ring, Pump Cover, Teflon Encapsulated	1	300 117 005	
	O-Ring, Pump Cover, Silicone	1	323 117 013	
41	Locknut, Gear	2	105697	44
42	Gear Case Shim, CI	1	40288	
43	Plastic Cap Plug	6	000 121 001	
44	3/8-16 x 1" SHCS (1/2-13 x 1-3/4")	4	30-250	
45*	Body Retaining Screw, 3/8 -16 x 4"	2	30-323	
46	Eye Bolt	3	30-360	
47	Key, Coupling - 5/8 x 5/8 x 2"	1	000 037 005	
48*	Cleanout Plug	2	41013	
50	Grease Retainer, Gear Case, Front Bearing	2	STD 030 003	3
52	Spacer, Rear Bearing	2	0H1 055 002	3
53	Locknut, Front Bearing	2	0H1 236 001	3
54	Lock washer, Front Bearing	2	0H1 136 001	3
55	Spacer, Front Bearing	2	0H1 055 001	3
56	Shaft Guard	2	111578	
61*	Name Plate	1	001 061 015	
62*	#2 x .125" RHDS	4	30-355	
65	Caution Plate	2	33-62	
66*	Warning Label	2	33-63	
67*	Grease Fitting, 1/8"	4	BD0 092 000	
68*	Plastic Cap, Grease Fitting	4	BD0 093 000	

NOTES:

- 3. Pumps shipped prior to July 30, 2001.
- 4. Pumps shipped starting July 30, 2001.
- 44. Replaces 0H1 136 000 lock washer and 0H1 236 000 locknut.

* - Not shown

* **Recommended Spare Parts**



5080 MECHANICAL SEAL PARTS PRICE LIST

ITEM NO.	DESCRIPTION	QTY. PER PUMP	PART NO.	NOTES
MECHANICAL SEAL PARTS				
SINGLE OUTSIDE SEAL				
* 70	Crane #8B2 Outside Seal, Carbon	2	300 114 002	
* 70	Crane #8B2 Outside Seal, Silicon Carbide	2	300 114 009	
* 70B	O-Ring, Outer Seal, Shaft, EPDM	2	E70234	
* 70B	O-Ring, Outer Seal, Shaft, FKM	2	V70234	
* 70B	O-Ring, Outer Seal, Shaft, Silicone	2	S75234	
* 72	"T" Seat, Plain, Ceramic	2	300 014 012	
* 72	"T" Seat, Plain, Tungsten Carbide	2	300 014 013	
* 72	"T" Seat, Plain, Silicon Carbide	2	300 014 016	
* 72B	"T" Seat Gasket, Inner, FKM	2	300 042 001	
* 72B	"T" Seat Gasket, Inner, EPDM	2	300 042 003	
* 72B	"T" Seat Gasket, Inner, Gylon 3510	2	105237	
* 72B	"T" Seat Gasket, Inner, Garlock 681	2	107183	
* 72B	"T" Seat Gasket, Inner, EPDM Diaphragm Sheet	2	102899	
* 72C	"T" Seat Gasket, Outer, FKM	2	300 042 002	
* 72C	"T" Seat Gasket, Outer, EPDM	2	300 042 004	
* 72C	"T" Seat Gasket, Outer, Gylon 3510	2	36126	
* 72C	"T" Seat Gasket, Outer, Garlock 3200	2	104306	
* 72C	"T" Seat Gasket, Outer, EPDM Diaphragm Sheet	2	102900	
* 72C	"T" Seat Gasket, Outer, Garlock 681	2	107184	
73	Gland, Plain (Flush Gland supplied w plugs)	2	300 034 000	
73B	HHCS, Gland Bolt, 3/8-16 x 1-1/4"	8	30-60	
73C	Lockwasher, 3/8"	8	43-28	
SINGLE INSIDE SEAL				
* 71	Crane #9 Inside Seal , Carbon	2	300 114 000	
* 71	Crane #9 Inside Seal , Silicon Carbide	2	35637	
* 71	Crane #9 Inside Seal , Tungsten Carbide	2	35638	
* 72B	"T" Seat Gasket, Inner, FKM	2	300 042 001	
* 72B	"T" Seat Gasket, Inner, EPDM	2	300 042 003	
* 72B	"T" Seat Gasket, Inner, Gylon 3510	2	105237	
* 72B	"T" Seat Gasket, Inner, Garlock 681	2	107183	
* 72B	"T" Seat Gasket, Inner, EPDM Diaphragm Sheet	2	102899	
* 72C	"T" Seat Gasket, Outer, FKM	2	300 042 002	
* 72C	"T" Seat Gasket, Outer, EPDM	2	300 042 004	
* 72C	"T" Seat Gasket, Outer, Gylon 3510	2	36126	
* 72C	"T" Seat Gasket, Outer, Garlock 3200	2	104306	
* 72C	"T" Seat Gasket, Outer, EPDM Diaphragm Sheet	2	102900	
* 72C	"T" Seat Gasket, Outer, Garlock 681	2	107184	
73	Gland, Plain (Flush Gland supplied w plugs)	2	300 034 000	
73B	HHCS, Gland Bolt, 3/8-16 x 1-1/4"	8	30-60	
73C	Lockwasher, 3/8"	8	43-28	
DOUBLE INSIDE-OUTSIDE SEAL				
* 70	Crane #8B2 Outside Seal, Carbon	2	300 114 002	
* 70	Crane #8B2 Outside Seal, Silicon Carbide	2	300 114 009	
* 71	Crane #9 Inside Seal , Carbon	2	300 114 000	
* 71	Crane #9 Inside Seal , Silicon Carbide	2	35637	
* 71	Crane #9 Inside Seal , Tungsten Carbide	2	35638	

NOTES:

*Recommended Spare Parts

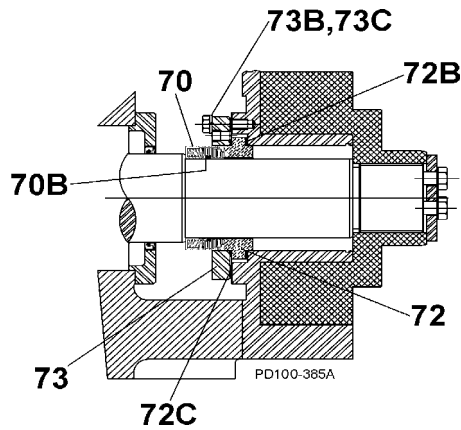


5080 Mechanical Seal Parts Con't. and Diagram

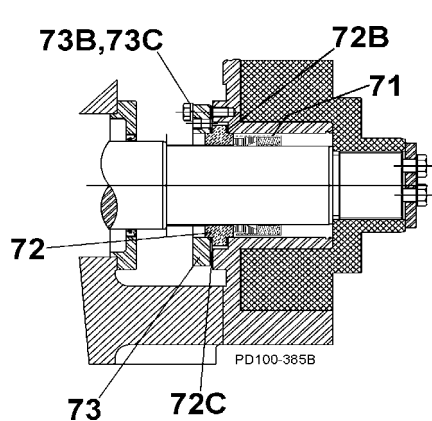
ITEM NO.	DESCRIPTION	QTY. PER PUMP	PART NO.	NOTES
* * * 72A	"T" Seat, Flushed, Ceramic	2	300 014 027	
	"T" Seat, Flushed, Tungsten Carbide	2	300 014 028	
	"T" Seat, Flushed, Silicon Carbide	2	300 014 031	
* * * * * * 72B	"T" Seat Gasket, Inner, FKM	2	300 042 001	
	"T" Seat Gasket, Inner, EPDM	2	300 042 003	
	"T" Seat Gasket, Inner, Gylon 3510	2	105237	
	"T" Seat Gasket, Inner, Garlock 681	2	107183	
	"T" Seat Gasket, Inner, EPDM Diaphragm Sheet	2	102899	
	"T" Seat Gasket, Outer, FKM	2	300 042 002	
* * * * * * 72C	"T" Seat Gasket, Outer, EPDM	2	300 042 004	
	"T" Seat Gasket, Outer, Gylon 3510	2	36126	
	"T" Seat Gasket, Outer, Garlock 3200	2	104306	
	"T" Seat Gasket, Outer, EPDM Diaphragm Sheet	2	102900	
	"T" Seat Gasket, Outer, Garlock 681	2	107184	
	73A	Gland, Flushed	2	300 034 001
73B	HHCS, Gland Bolt, 3/8-16 x 1-1/4"	8	30-60	
73C	Lockwasher, 3/8"	8	43-28	

NOTES:

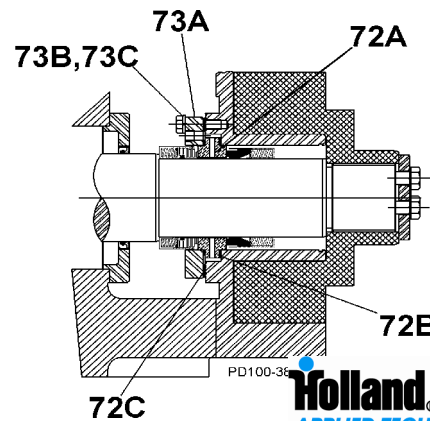
* Recommended Spare Parts



72C
Single Outside Mechanical Seal



72C
Single Inside Mechanical Seal



72C
Double Inside-Outside Mechanical Seal

Holland
APPLIED TECHNOLOGIES
Indianapolis • Chicago • San Juan
www.hollandapt.com

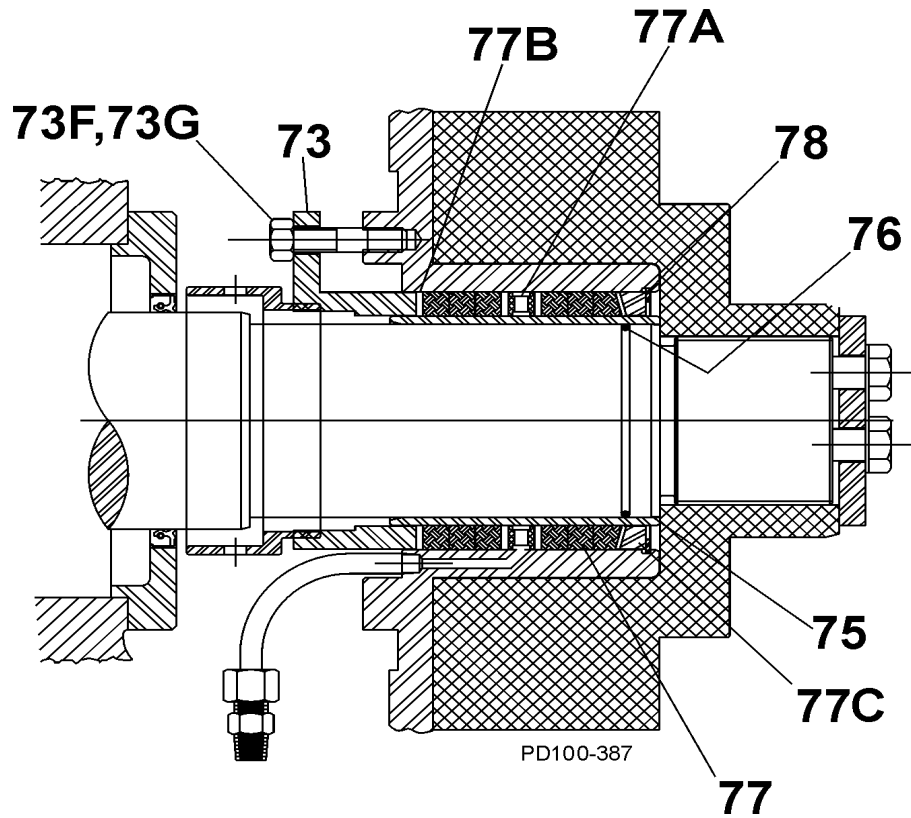
5080 PACKING AND VENTED COVER PARTS PRICE LIST

ITEM NO.	DESCRIPTION	QTY. PER PUMP	PART NO.	NOTES
PACKING PARTS				
72D	Gasket Insert	2	NR	
73	Gland (Replaces 300 004 000)	2	112053	
73C	Washer, Gland	2	NR	
73E	Gland, Insert	2	NR	
73F	Stud, Packing Gland, 3/8-16 x 1-7/8	4	0C1 050 000	
73G	Hex Nut, 3/8	4	36-45	
73H	HHCS, 1/4-20 x 1/2"	8	NR	
73J	Lock washer, 1/4"	8	NR	
* 75	Sleeve, SS	2	300 098 000	
* 75	Sleeve, Ceramic Coated	2	300 098 003	
* 76	O-Ring, Shaft, Buna N	2	N70149	
* 76	O-Ring, Shaft, EPDM	2	E70149	
* 76	O-Ring, Shaft, FKM	2	V70149	
* 77	Packing	12 Rings	300 033 000	
77A	Lantern Ring	2	300 047 000	
77B	Packing Spacer	8	20-138	
77C	Packing, Retaining Ring	2	300 051 000	
78	Retainer	2	40070	
MANUAL VENTED COVER				
101	Relief Cover	1	300 002 004	
102	Adjusting Screw	1	000 060 001	
104	Adjusting Screw Jam Nut	1	36-99	
105	Relief Spring	1	000 076 006	
118	Adapter	1	300 071 000	
119	HHCS, 5/16-18 x 1"	6	30-349	
* 120	Piston O-Ring, Buna N	1	N70235	
* 120	Piston O-Ring, EPDM	1	E70235	
* 120	Piston O-Ring, FKM	1	V70235	
* 120	Piston O-Ring, FFKM	1	K75235	
* 123	Adapter O-Ring, Buna N	1	N70157	
* 123	Adapter O-ring, EPDM	1	E70157	
* 123	Adapter O-Ring, FKM	1	V70157	
* 123	Adapter O-ring, FFKM	1	K75157	
124	Spring, Retainer	1	200 176 000	
125	Piston	1	300 073 000	

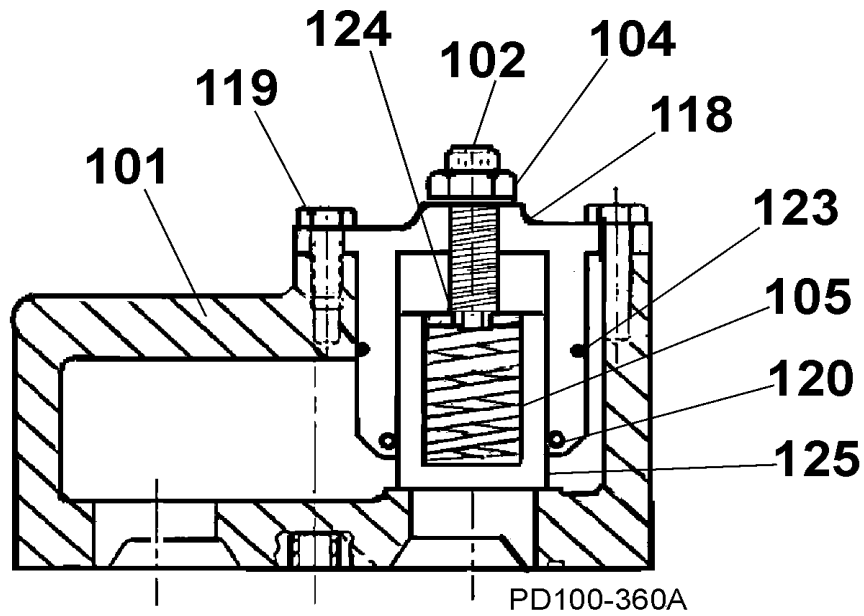
NOTES:

* Recommended Spare Parts

5080 Packing and Vented Cover Parts Diagram



Packing Diagram



Vented Cover Diagram